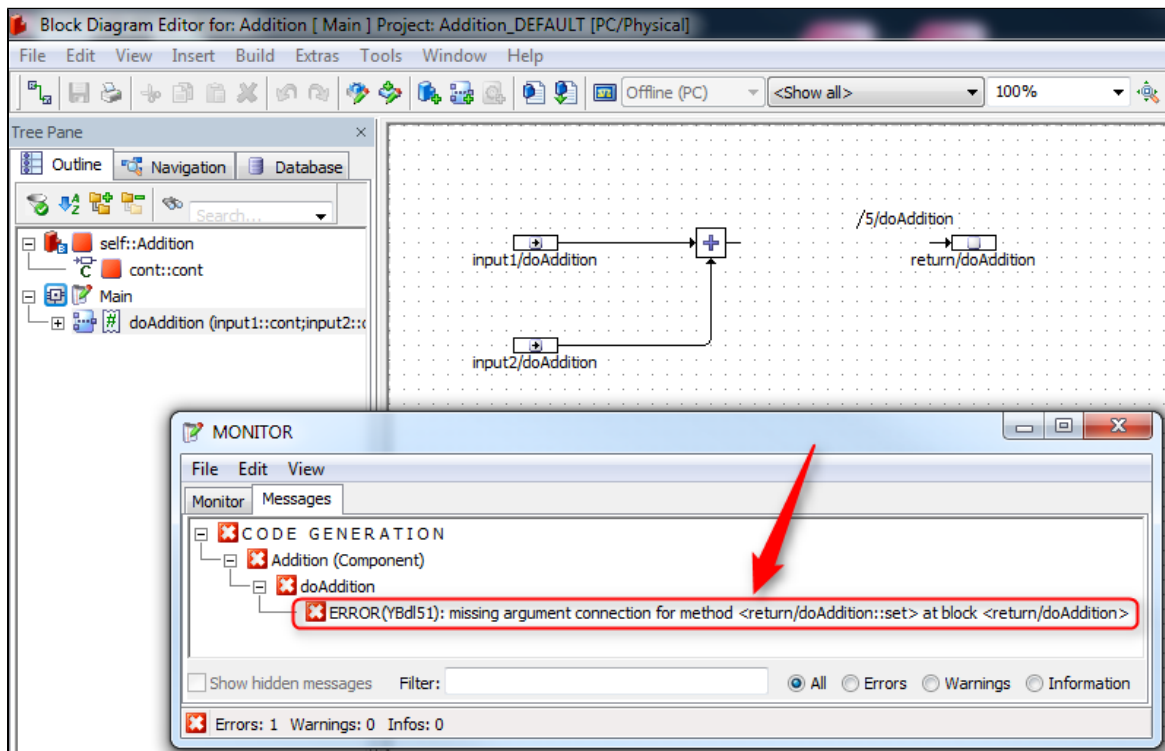




Question:

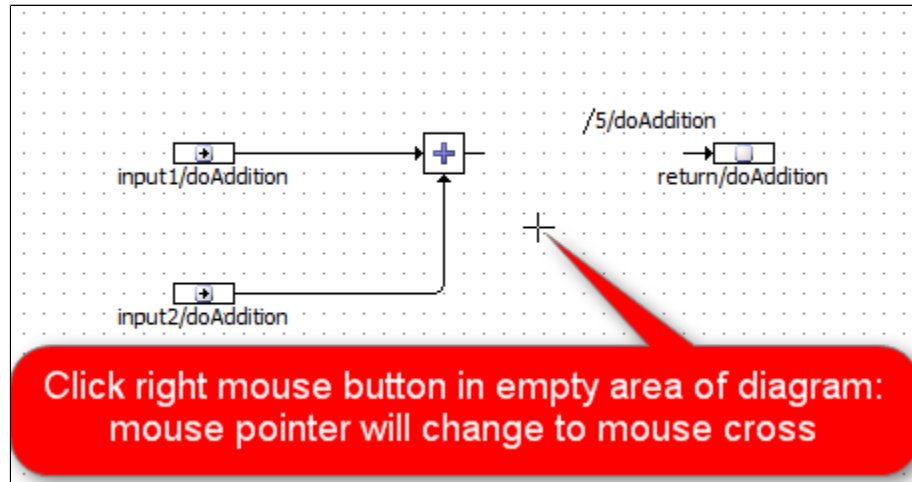
- Cannot build code from model
- Error: *ERROR(YBdl51): missing argument connection for method <method_name> at block <block_name>*



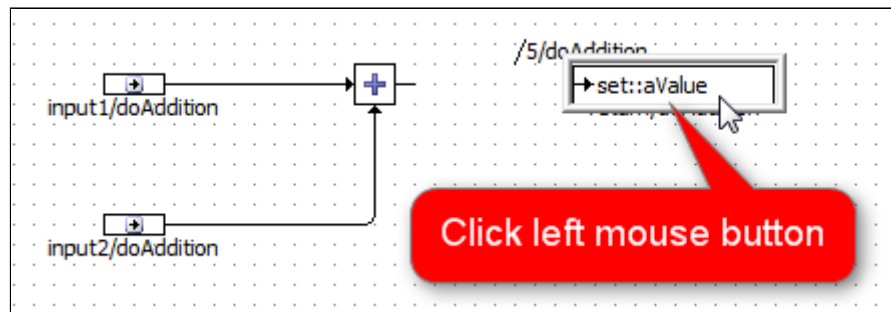
Answer:

- Connect the unconnected input pin of the mentioned block or ...
- ...in the case of an operator: choose an operator with the appropriate number of arguments.
- **Example:** Solution for the example given in the image above:
 - Connect the unconnected input pin of the return block (with the output pin of the "+" operator):

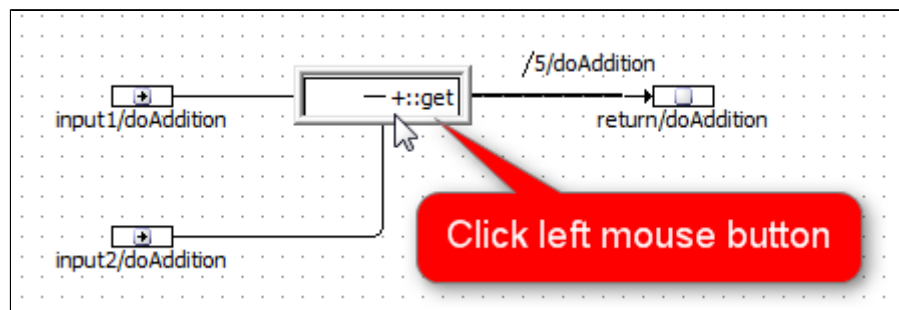
1. Click left mouse button in empty area of block diagram



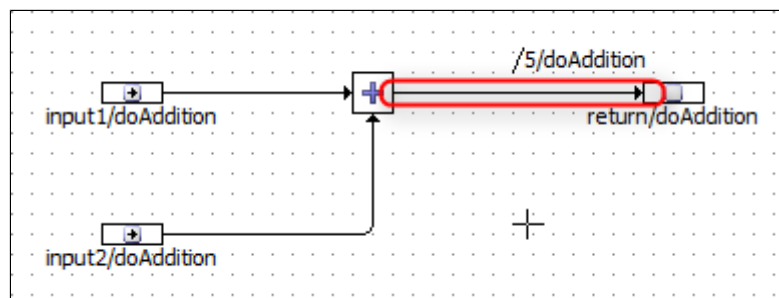
2. Click left mouse button on return block



3. Click left mouse button on "+" operator



4. Result: return block input pin is connected to output pin of "+" operator





Additional information:

- At the block <block_name> the method <method_name> is called, but not all arguments are connected
 - For example, one of the arguments is missing.
 - In the case of an operator, the method name is left blank.



In case of further questions:

- You will find further FAQ here: www.etas.com/en/faq
- Please feel free to contact our Support Center, if you have further questions.
- Here you can find all information: <http://www.etas.com/en/hotlines.php>

This information (here referred to as „FAQ“) is provided without any (express or implied) warranty, guarantee or commitment regarding completeness or accuracy. Except in cases of willful damage, ETAS shall not be liable for losses and damages which may occur or result from the use of this information (including indirect, special or consequential damages).