



Question:

How do I connect ES820 to other ETAS hardware?



Answer:

Depending on the used ETAS hardware there are several different options.

For details see the following overview:

ES820 Setup - Focussing on the Connection to Various ETAS Hardware Modules



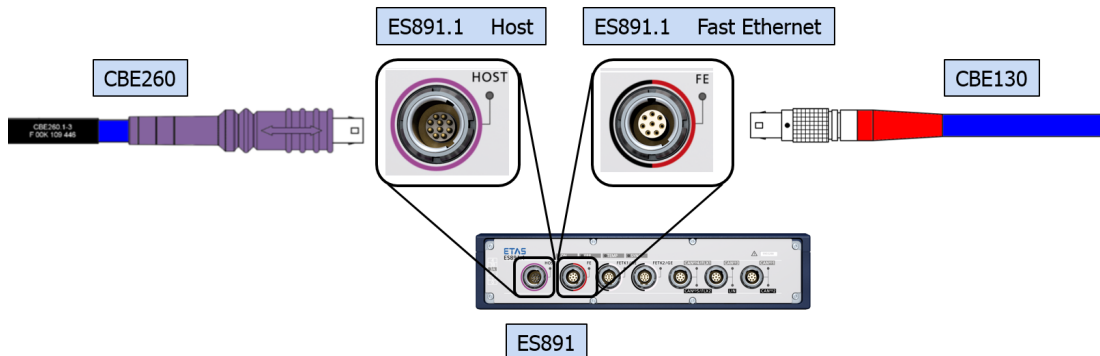
Additional information:

ES8xx modules support Gigabit network technology.

If ES8xx has to be used in combination with legacy hardware (which supports Megabit technology) the network module ES600.2 has to be used.

By the way:

Did you know that there is a colour coding for cables and interfaces as shown in the example below? Look for the colour code in the following presentation.



In case of further questions:

You will find further FAQ here: www.etas.com/en/faq

Please feel free to contact our Support Center, if you have further questions.

Here you can find all information: <http://www.etas.com/en/hotlines.php>

This information (here referred to as „FAQ“) is provided without any (express or implied) warranty, guarantee or commitment regarding completeness or accuracy. Except in cases of willful damage, ETAS shall not be liable for losses and damages which may occur or result from the use of this information (including indirect, special or consequential damages).

ES820 Setup

Focussing on the Connection to Various ETAS Hardware Modules

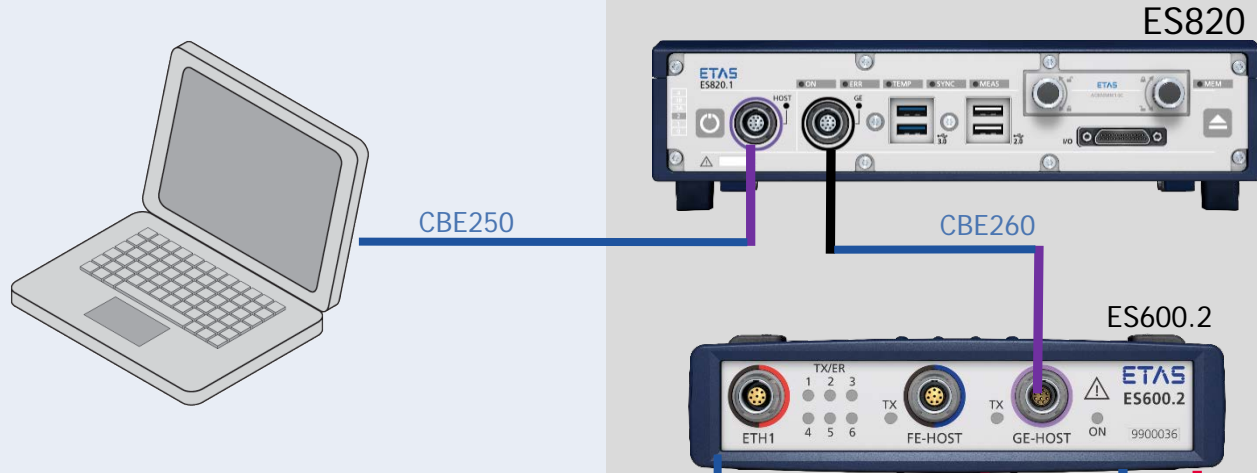


ES820 Standalone with ES600.2

The network module [ES600.2](#) is mandatory if legacy hardware (e.g. ES4xx, ES5xx, ES6xx, etc.) has to be used in combination with [ES820](#).

Configuration

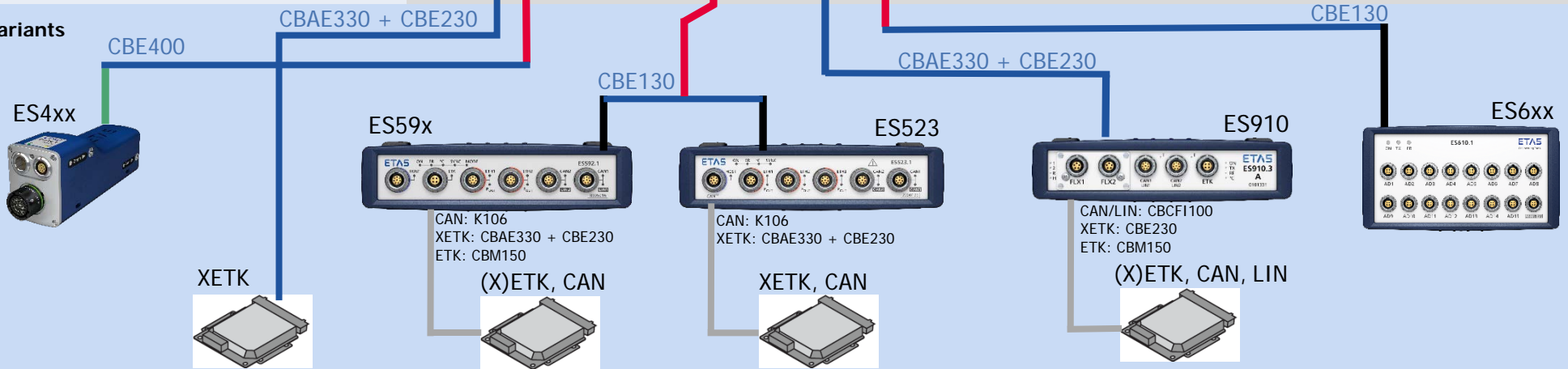
Mandatory Modules



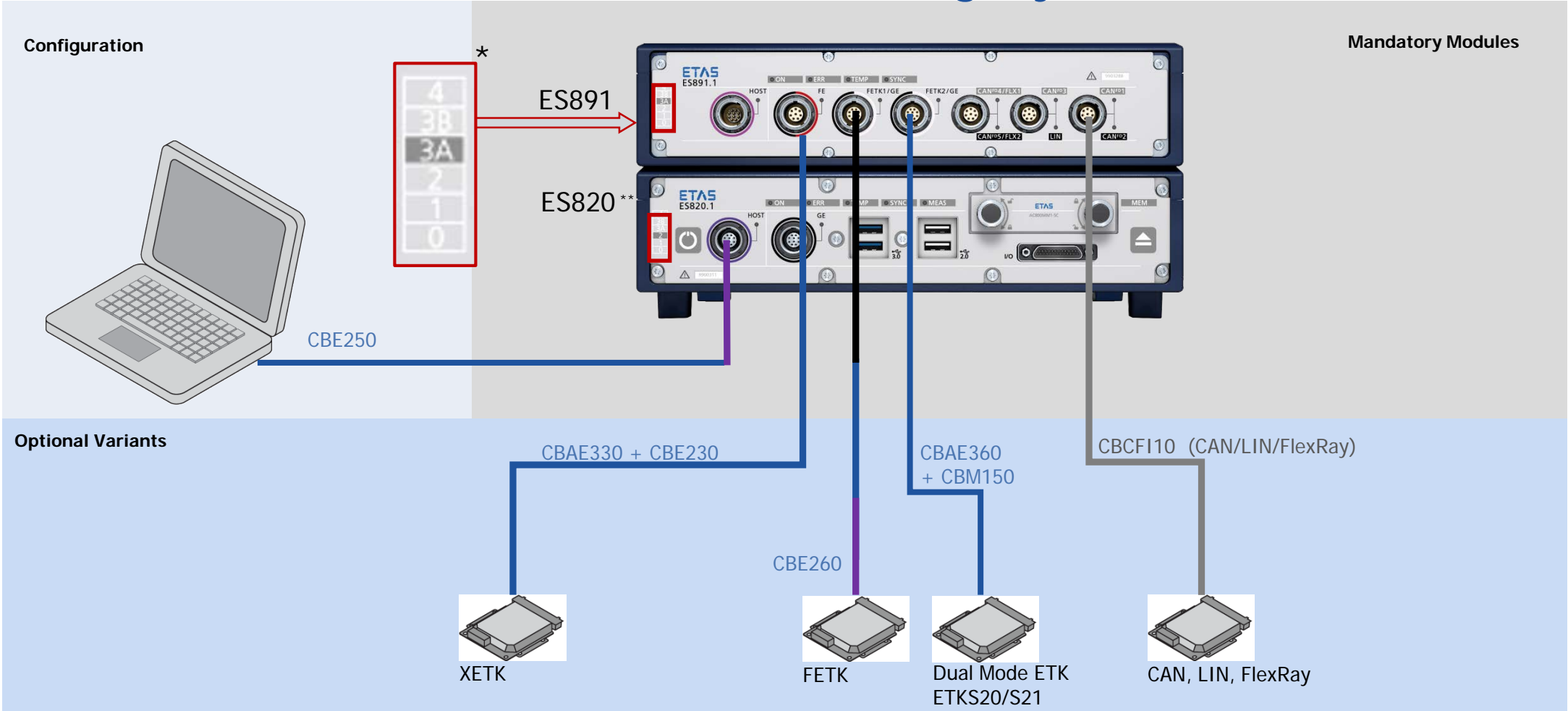
The base module (ES801, power supply) is not shown here.

For the power supply of legacy hardware (ES600, ES59x, ES523, ES910) the cable CBP120 (not shown here) is used.

Optional Variants



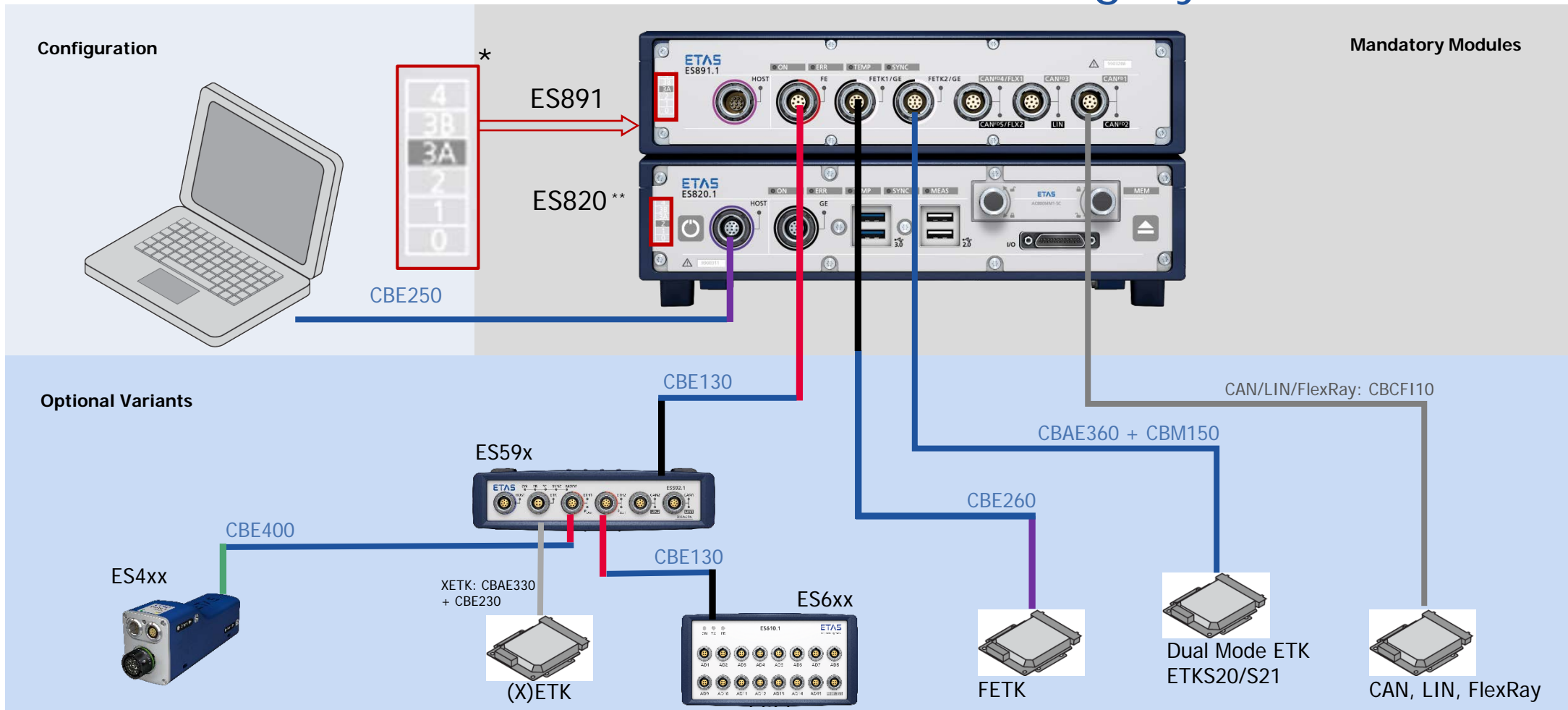
ES820* stacked with ES891 - without legacy modules



* ES8xx modules are assigned to specific categories. The assignment is indicated on the front panel of the modul (see symbol on the left of the ES8xx module). All modules have to be stacked in ascending order according to their category. Modules within the same category can be stacked randomly within their range. A stack does not have to comprise of all module categories.

** ES820 is shown without the base module (ES801). A base module can provide power supply for up to five ES8xx modules. For compact modules power supply is provided by the cable CBP120.

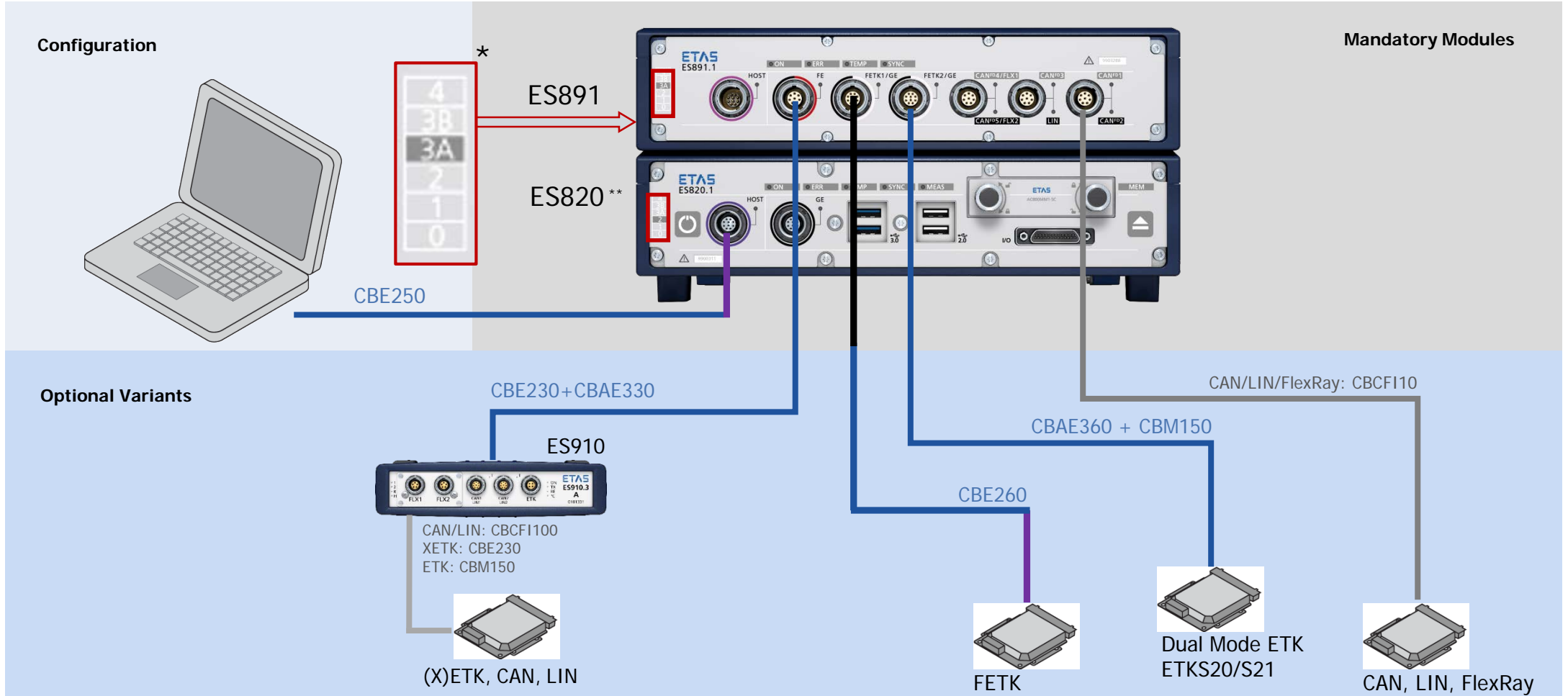
ES820* stacked with ES891 – connected to legacy modules



* ES8xx modules are assigned to specific categories. The assignment is indicated on the front panel of the modul (see symbol on the left of the ES8xx module). All modules have to be stacked in ascending order according to their category. Modules within the same category can be stacked randomly within their range. A stack does not have to comprise of all module categories.

** ES820 is shown without the base module (ES801). A base module can provide power supply for up to five ES8xx modules. For compact modules (e.g. ES59x) power supply is provided by the cable CBP120.

ES820* stacked with ES891 – connected to ES910 (RP Use Case)



* ES8xx modules are assigned to specific categories. The assignment is indicated on the front panel of the modul (see symbol on the left of the ES8xx module). All modules have to be stacked in ascending order according to their category. Modules within the same category can be stacked randomly within their range. A stack does not have to comprise of all module categories.

** ES820 is shown without the base module (ES801). A base module can provide power supply for up to five ES8xx modules. For compact modules (e.g. ES910) power supply is provided by the cable CBP120.