



## **CBAM190.2-0m6**

ETK ECU Adapter Cable (shield on ECU-housing), Lemo 1B PHG - JST PHR (4fc-5fc), 0m6  
Data Sheet

## **Copyright**

---

The data in this document may not be altered or amended without special notification from ETAS GmbH. ETAS GmbH undertakes no further obligation in relation to this document. The software described in it can only be used if the customer is in possession of a general license agreement or single license. Using and copying is only allowed in concurrence with the specifications stipulated in the contract.

Under no circumstances may any part of this document be copied, reproduced, transmitted, stored in a retrieval system or translated into another language without the express written permission of ETAS GmbH.

© **Copyright 2019** ETAS GmbH, Stuttgart

The names and designations used in this document are trademarks or brands belonging to the respective owners.

Document CBAM190.2 R04 EN – 12.2019

## Contents

---

1	Introduction.....	4
1.1	Installation .....	4
2	Technical Data.....	5
2.1	Mechanical Dimensions.....	5
2.2	Temperature Range.....	5
3	Ordering Information .....	6
4	ETAS Contact Addresses .....	7
	Figures.....	8

# 1 Introduction

Serial 100 MBit/s Cable Adapter for ETKs. Shield not insulated. Usable for ECUs with shielded housing.

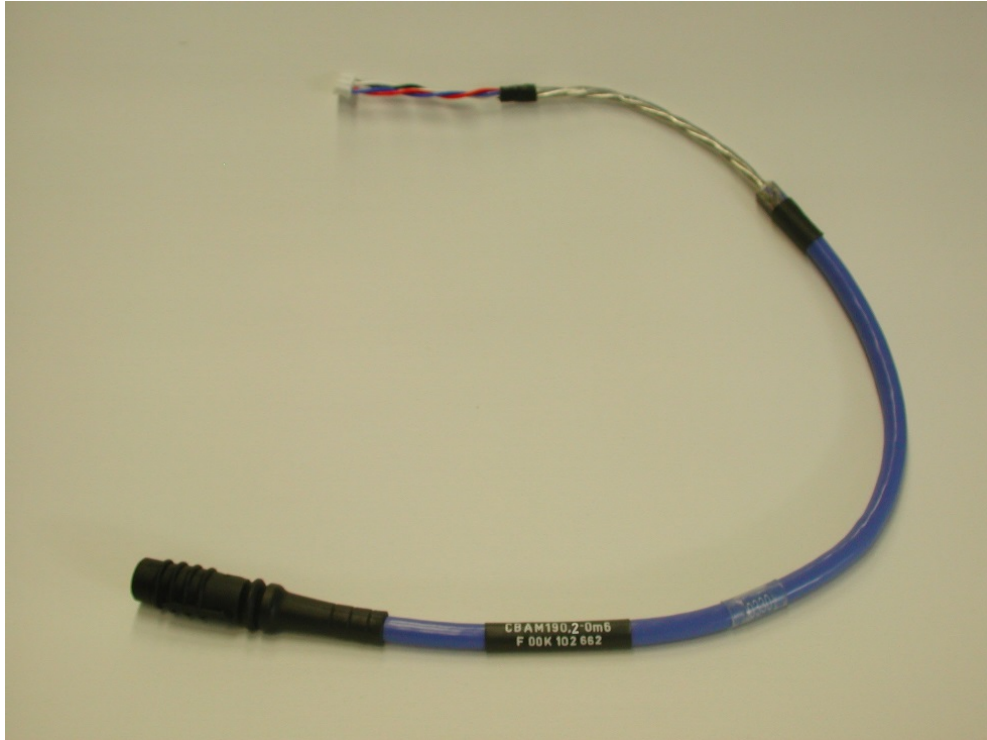


Figure 1 View

## 1.1 Installation

Permanent Power Supply inside ECU not available.

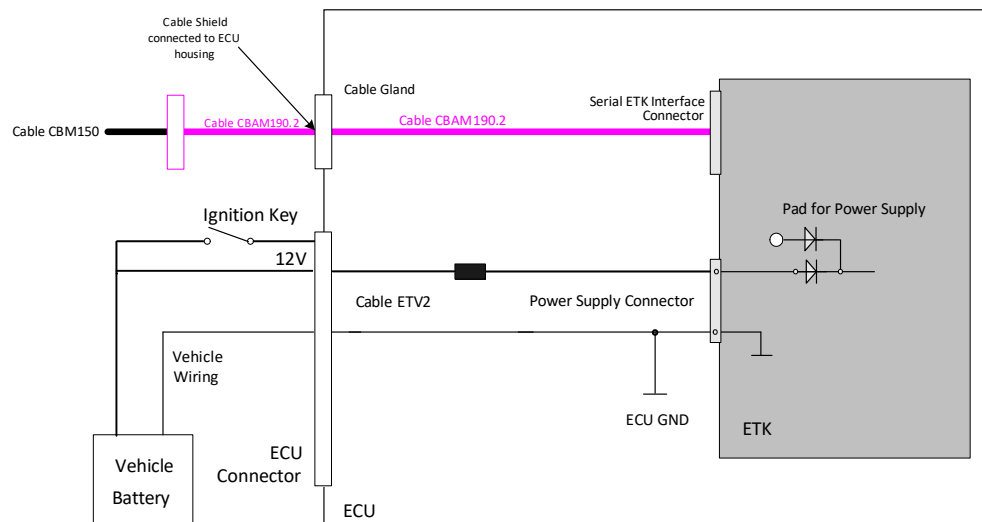


Figure 2 Installation

## 2 Technical Data

---

### 2.1 Mechanical Dimensions

---

All dimensions in mm.

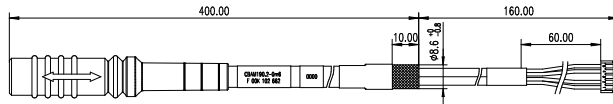


Figure 3 Mechanical dimension

### 2.2 Temperature Range

---

Condition	Temperature
Operating Temperature	-40°C - +125°C

### 3 **Ordering Information**

---

<b>Short Name</b>	<b>Order - Number</b>
CBAM190.2-0m6	F 00K 102 662

## 4 ETAS Contact Addresses

---

### ETAS Headquarters

ETAS GmbH  
Borsigstraße 24  
70469 Stuttgart  
Germany

Phone: +49 711 3423-0  
Fax: +49 711 3423-2106  
Internet: [www.etas.com](http://www.etas.com)

### ETAS Subsidiaries and Technical Support

For details of your local sales office as well as your local technical support team and product hotlines, take a look at the ETAS website:

ETAS subsidiaries            Internet: [www.etas.com/en/contact.php](http://www.etas.com/en/contact.php)  
ETAS technical support    Internet: [www.etas.com/en/hotlines.php](http://www.etas.com/en/hotlines.php)

## Figures

---

Figure 1	View .....	4
Figure 2	Installation.....	4
Figure 3	Mechanical dimension .....	5