



## **CBAM250-0m6**

ETK ECU Adapter and Power Supply Cable  
(shield on ECU-housing), Lemo 1B PHG - JST  
PHR (4fc-4mc) / Lemo 0B PHG - JST PAP (2fc-  
2fc), 0m60

Data Sheet

## **Copyright**

---

The data in this document may not be altered or amended without special notification from ETAS GmbH. ETAS GmbH undertakes no further obligation in relation to this document. The software described in it can only be used if the customer is in possession of a general license agreement or single license. Using and copying is only allowed in concurrence with the specifications stipulated in the contract.

Under no circumstances may any part of this document be copied, reproduced, transmitted, stored in a retrieval system or translated into another language without the express written permission of ETAS GmbH.

© **Copyright 2019** ETAS GmbH, Stuttgart

The names and designations used in this document are trademarks or brands belonging to the respective owners.

Document CBAM250 R09 EN – 12.2019

## Contents

---

1	Introduction.....	4
1.1	Installation .....	5
2	Technical Data.....	6
2.1	Installation Connector Housing.....	6
2.2	Mechanical Dimensions.....	7
2.3	Temperature Range.....	7
3	Ordering Information .....	8
4	ETAS Contact Addresses .....	9
	Figures.....	10
	Tables.....	11

## 1 Introduction

---

Serial 100 MBit/s cable with external power supply for ETKs, shield on ECU housing. Usable for ECUs without Permanent Power Supply inside. The individual contacts of the connector are already crimped to the conductors of the cable. However, they are not inserted into the plastic shell of the plug to facilitate threading the wires through a mounting hole. To complete the installation the connectors are inserted into the shell, observing the correct orientation and assuring proper latching..

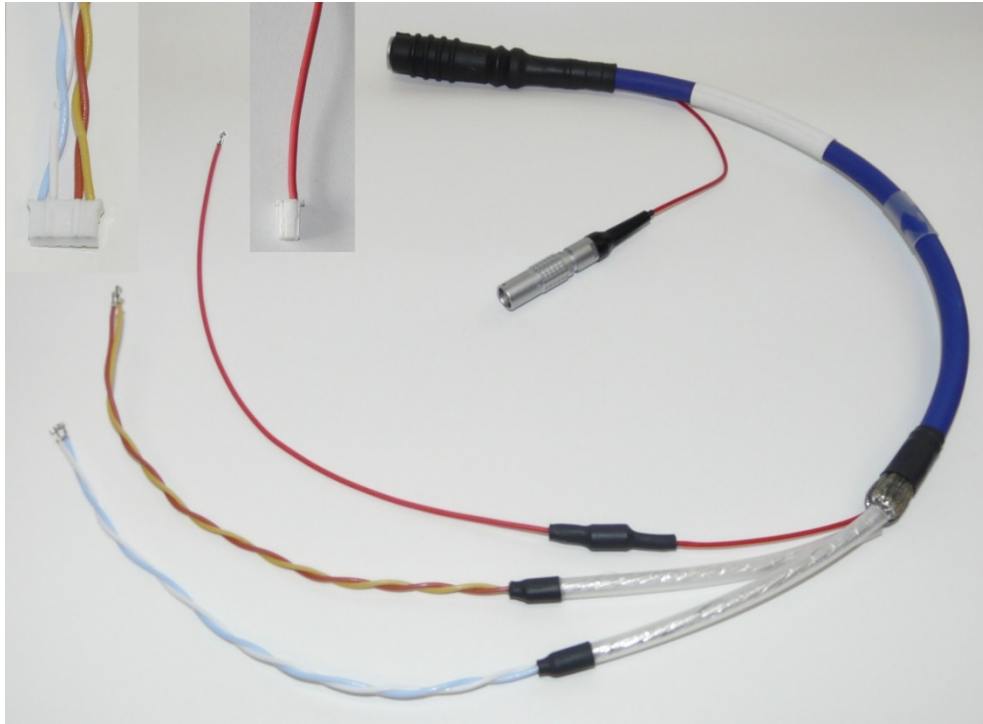


Figure 1 View

# 1.1 Installation

Permanent Power Supply inside ECU not available.

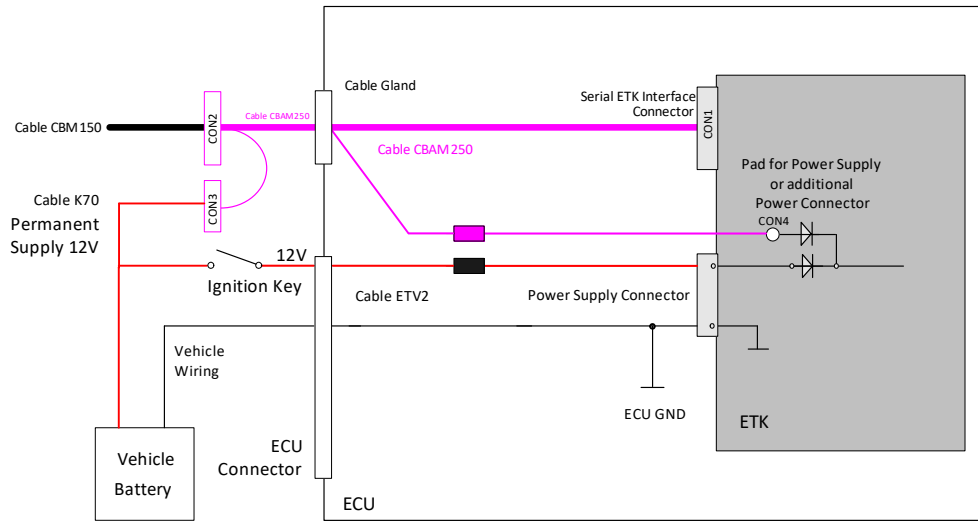


Figure 2 Installation

**i NOTE**  
 It is recommended for safety reasons to connect the external permanent voltage and the switched voltage inside the ECU !

## 2 Technical Data

### 2.1 Installation Connector Housing

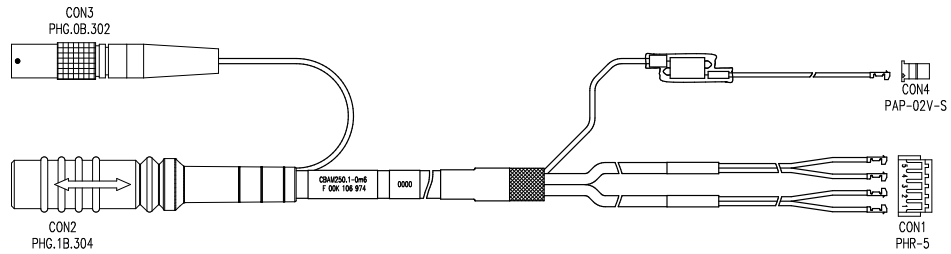


Figure 3 Connectors

To complete the installation the connectors are inserted into the shell, observing the correct orientation and assuring proper latching. For proper operation the RX and TX pairs have to be twisted 3 - 5 times / 10cm clockwise.

Crimped Wires		JST Housing		
Connection	Name	Pair	Color	Connection
Crimp-Contact	RX+	1	blue	5
Crimp-Contact	RX-		white	4
Crimp-Contact	TX+	2	orange	2
Crimp-Contact	TX-		yellow	1
not connected				3

Table 1 CON 1

Crimped Wires		JST Housing	
Connection	Name	Color	Connection
Crimp-Contact	UBatt	red	1
not connected			2

Table 2 CON 4

**i NOTE**

For using the cable with an ETK with solder pad for the additional UBatt Input, cut the Crimp Contact and solder the wire direct to the solder pad.

## 2.2 Mechanical Dimensions

All measurements in mm.

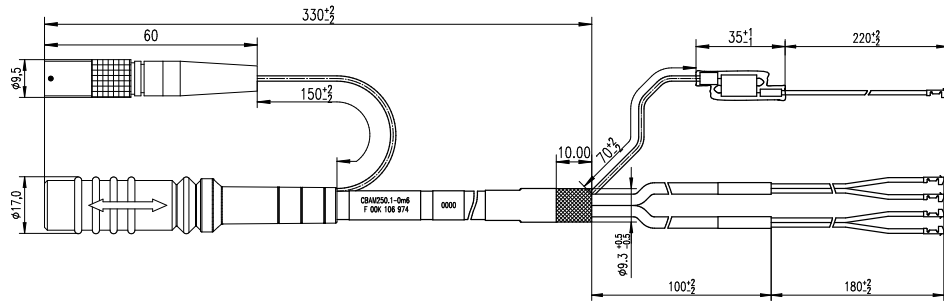


Figure 4 Mechanical Dimensions

## 2.3 Temperature Range

Condition	Temperature
Operating Temperature	-40°C - +125°C

### 3 Ordering Information

---

<b>Short Name</b>	<b>Order - Number</b>
CBAM250-0m6	F 00K 106 974
K70.1	F 00K 109 270



## 4 ETAS Contact Addresses

---

### ETAS Headquarters

ETAS GmbH  
Borsigstraße 24  
70469 Stuttgart  
Germany

Phone: +49 711 3423-0  
Fax: +49 711 3423-2106  
Internet: [www.etas.com](http://www.etas.com)

### ETAS Subsidiaries and Technical Support

For details of your local sales office as well as your local technical support team and product hotlines, take a look at the ETAS website:

ETAS subsidiaries            Internet: [www.etas.com/en/contact.php](http://www.etas.com/en/contact.php)  
ETAS technical support    Internet: [www.etas.com/en/hotlines.php](http://www.etas.com/en/hotlines.php)

## Figures

---

Figure 1	View .....	4
Figure 2	Installation.....	5
Figure 3	Connectors.....	6
Figure 4	Mechanical Dimensions.....	7

## Tables

---

Table 1	CON 1 .....	6
Table 2	CON 4 .....	6