



CBAM270

XETK ECU Adapter and Power Supply Cable, pre-assembled into PG9 screwing, shield on ECU-Housing, Lemo 1B PHE - JST PHR (10fc-5fc) / Lemo 0B PHG - JST PAP (2fc-2fc), 0m50 – 0m70

Data Sheet

Copyright

The data in this document may not be altered or amended without special notification from ETAS GmbH. ETAS GmbH undertakes no further obligation in relation to this document. The software described in it can only be used if the customer is in possession of a general license agreement or single license. Using and copying is only allowed in concurrence with the specifications stipulated in the contract.

Under no circumstances may any part of this document be copied, reproduced, transmitted, stored in a retrieval system or translated into another language without the express written permission of ETAS GmbH.

© **Copyright 2019** ETAS GmbH, Stuttgart

The names and designations used in this document are trademarks or brands belonging to the respective owners.

Document CBAM270 R07 EN - 12.2019

Contents

1	Introduction.....	4
1.1	Installation	6
1.1.1	Selectable Cables for XETK.....	6
1.1.2	Installation with Permanent Power Supply inside ECU not available	6
2	Technical Data.....	8
2.1	Mechanical Dimensions.....	8
2.2	Temperature Range.....	8
3	Ordering Information	9
4	ETAS Contact Addresses	10
	Figures.....	11

1 Introduction

CBAM270-0m50 is a serial 100 MBit/s cable adapter with external power supply for XETKs. Preassembled into PG9 screwing, shield connected to the screwing.

Usable for ECUs without Permanent Power Supply inside

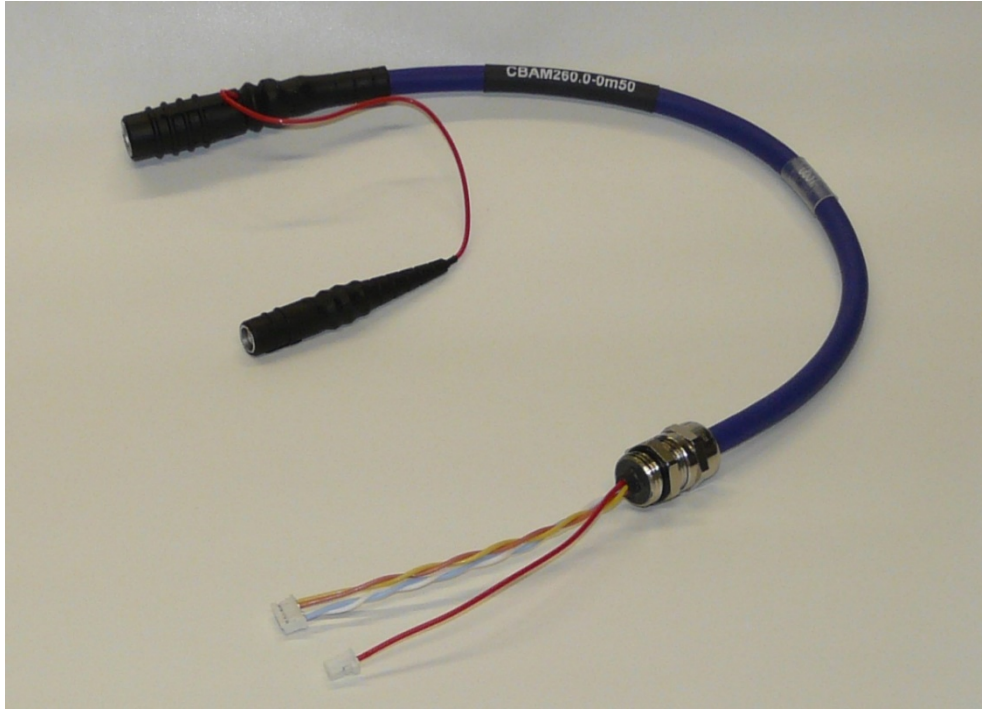


Figure 1 View CBAM270-0m50 (Image similar)

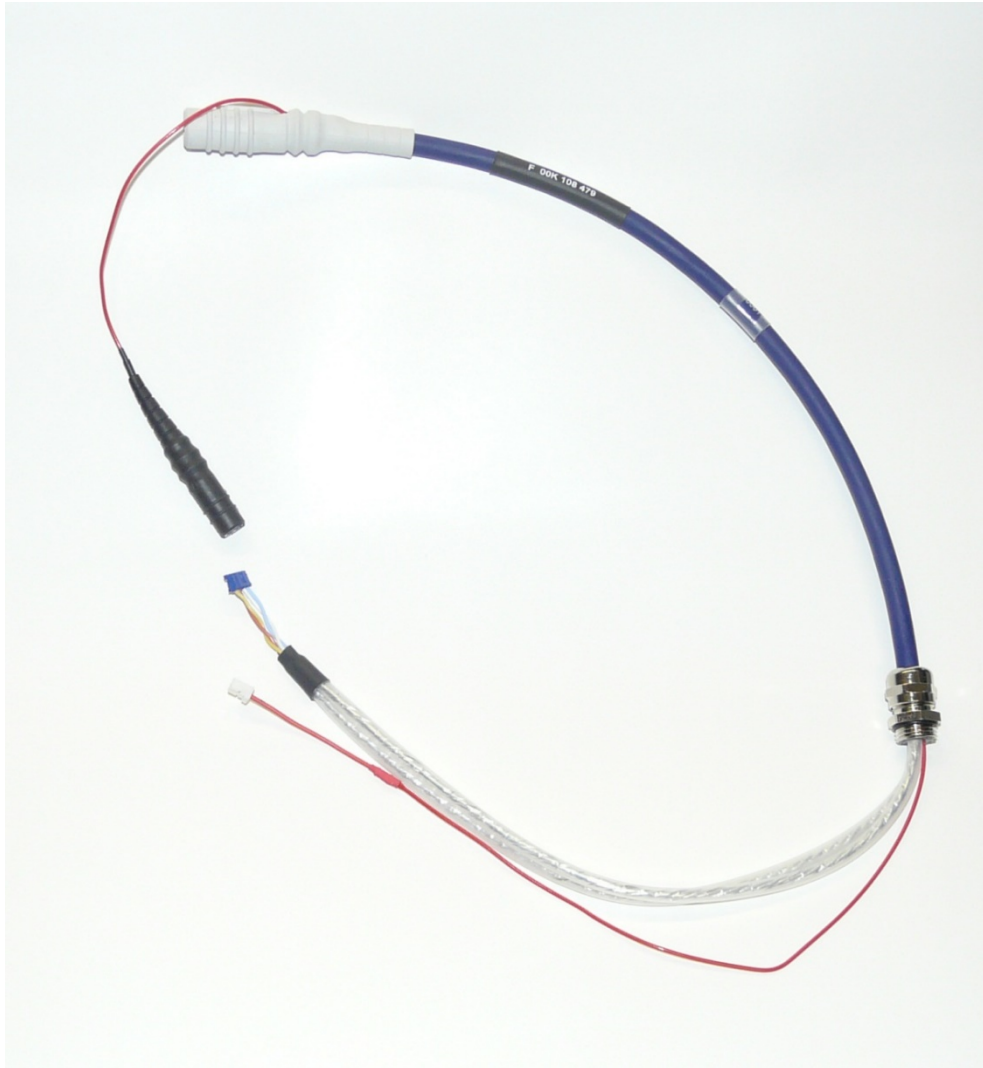


Figure 2 View CBAM270-0m7

1.1 Installation

1.1.1 Selectable Cables for XETK

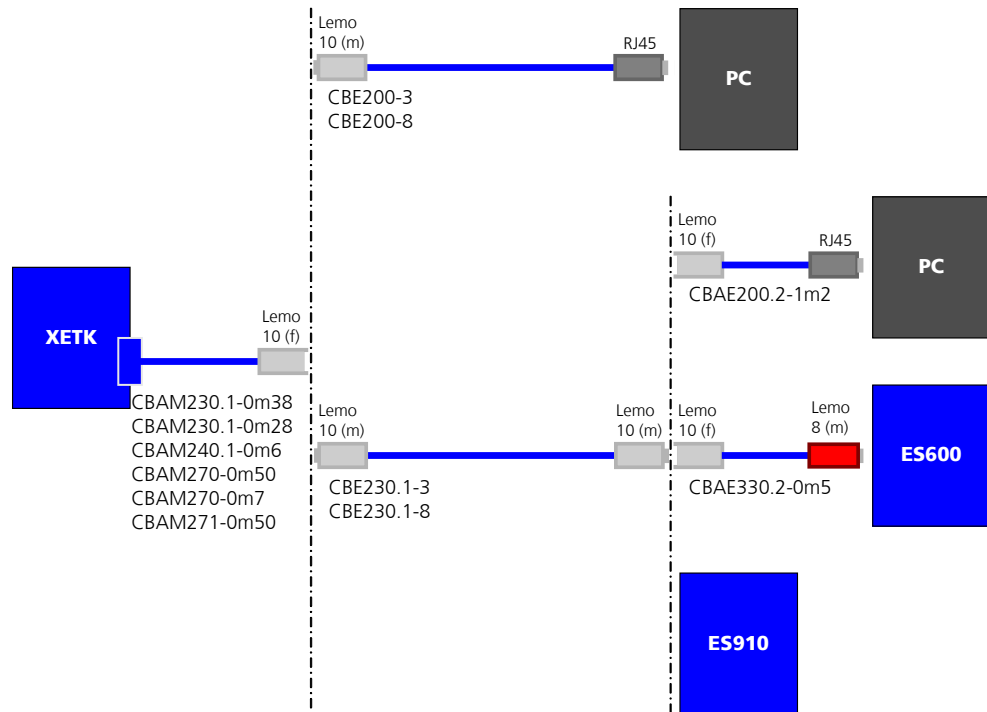


Figure 3 XETK Cables

1.1.2 Installation with Permanent Power Supply inside ECU not available

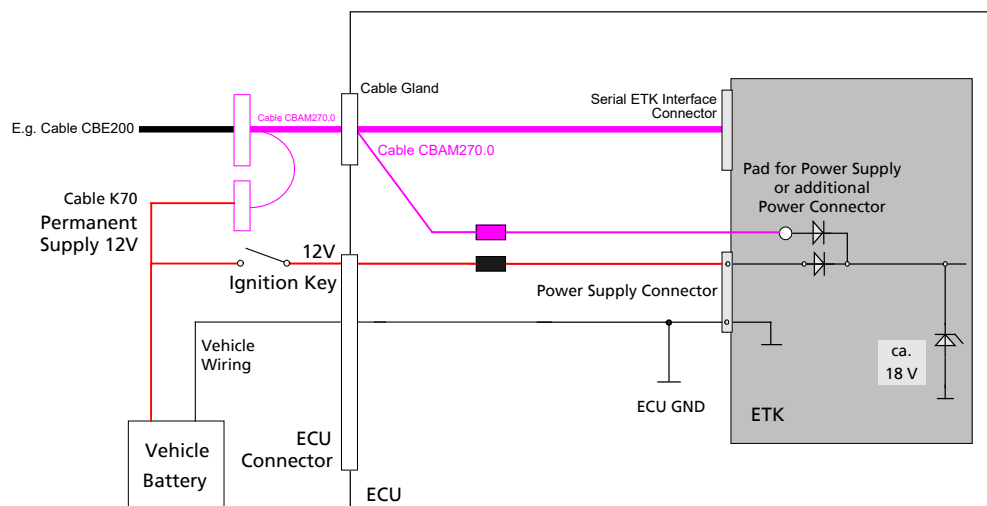


Figure 4 Installation Cable

i NOTE

for using the cable with an ETK with solder pad, cut the plug and solder the wire direct to the solder pad.

i NOTE

It is recommended for safety reasons to connect the external permanent voltage and the switched voltage inside the ECU !

2 Technical Data

2.1 Mechanical Dimensions

All dimensions in mm.

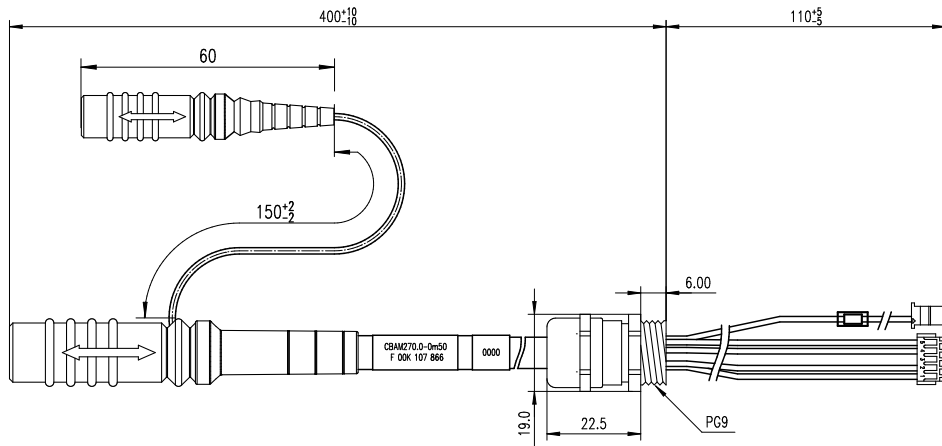


Figure 5 Dimensions CBAM270-0m50

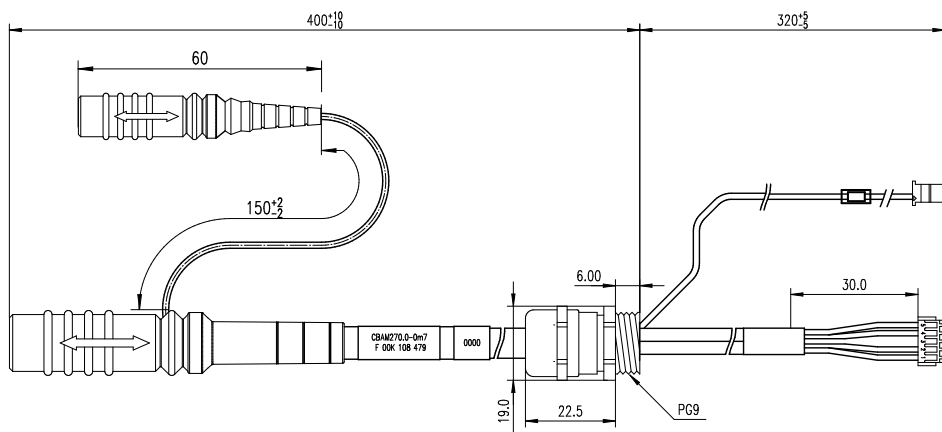


Figure 6 Dimensions CBAM270-0m7

i NOTE

for mounting the cable, cut a PG9 thread into the ECU housing. For thin walled housings use a Nut SM-PE 9. Available from Lapp, Ordernumber: 52103210

2.2 Temperature Range

Condition	Temperature
Operating Temperature	-40°C - +125°C

3 Ordering Information

Short Name	Order - Number
CBAM270-0m50	F 00K 107 866
CBAM270-0m7	F 00K 108 479
K70	Y 261 A24 942

4 ETAS Contact Addresses

ETAS Headquarters

ETAS GmbH
Borsigstraße 24
70469 Stuttgart
Germany

Phone: +49 711 3423-0
Fax: +49 711 3423-2106
Internet: www.etas.com

ETAS Subsidiaries and Technical Support

For details of your local sales office as well as your local technical support team and product hotlines, take a look at the ETAS website:

ETAS subsidiaries Internet: www.etas.com/en/contact.php
ETAS technical support Internet: www.etas.com/en/hotlines.php

Figures

Figure 1	View CBAM270-0m50 (Image similar).....	4
Figure 2	View CBAM270-0m7.....	5
Figure 3	XETK Cables	6
Figure 4	Installation Cable	6
Figure 5	Dimensions CBAM270-0m50	8
Figure 6	Dimensions CBAM270-0m7	8