



## **CBAM271**

XETK ECU Adapter Cable, pre-assembled into PG9 screwing, shield on ECU-Housing, Lemo 1B PHE - JST PHR (10fc-5fc), 0m50

Data Sheet

## **Copyright**

---

The data in this document may not be altered or amended without special notification from ETAS GmbH. ETAS GmbH undertakes no further obligation in relation to this document. The software described in it can only be used if the customer is in possession of a general license agreement or single license. Using and copying is only allowed in concurrence with the specifications stipulated in the contract.

Under no circumstances may any part of this document be copied, reproduced, transmitted, stored in a retrieval system or translated into another language without the express written permission of ETAS GmbH.

© **Copyright 2019** ETAS GmbH, Stuttgart

The names and designations used in this document are trademarks or brands belonging to the respective owners.

Document CBAM271 R06 EN – 05.2020

## Contents

---

1	Introduction.....	4
1.1	Installation.....	4
1.1.1	Selectable Cables for XETK.....	4
1.1.2	Installation with Permanent Power Supply inside ECU. ....	5
2	Technical Data.....	6
2.1	Mechanical Dimensions .....	6
2.2	Temperature Range .....	6
3	Ordering Information.....	7
4	ETAS Contact Addresses.....	8
	Figures.....	9

# 1 Introduction

CBAM271-0m50 is a serial 100 MBit/s cable adapter for XETKs. Preassembled into PG9 screwing, shield connected to the screwing.

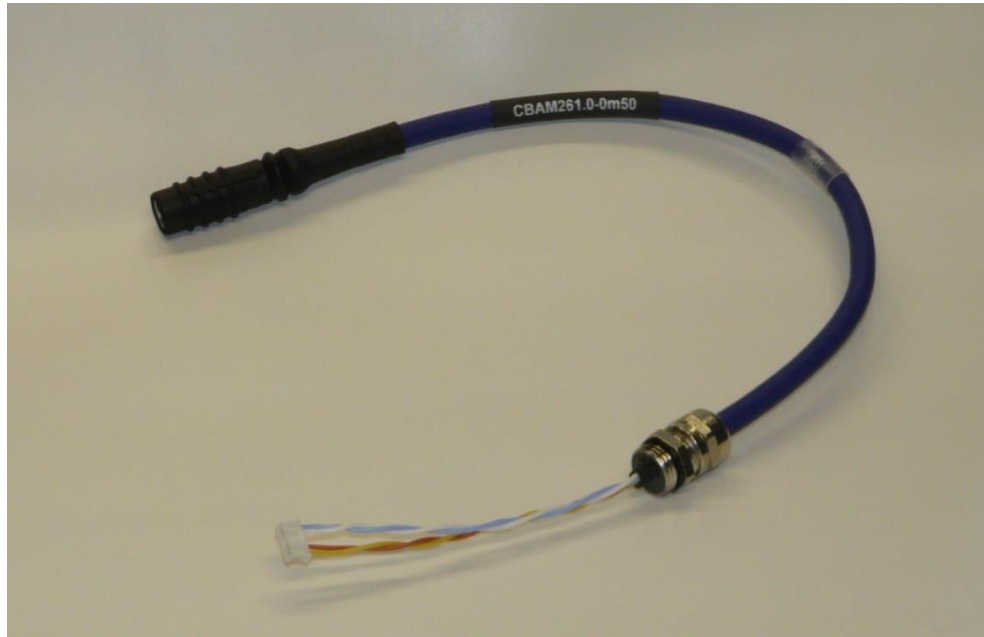


Figure 1 View (Image similar)

## 1.1 Installation

### 1.1.1 Selectable Cables for XETK

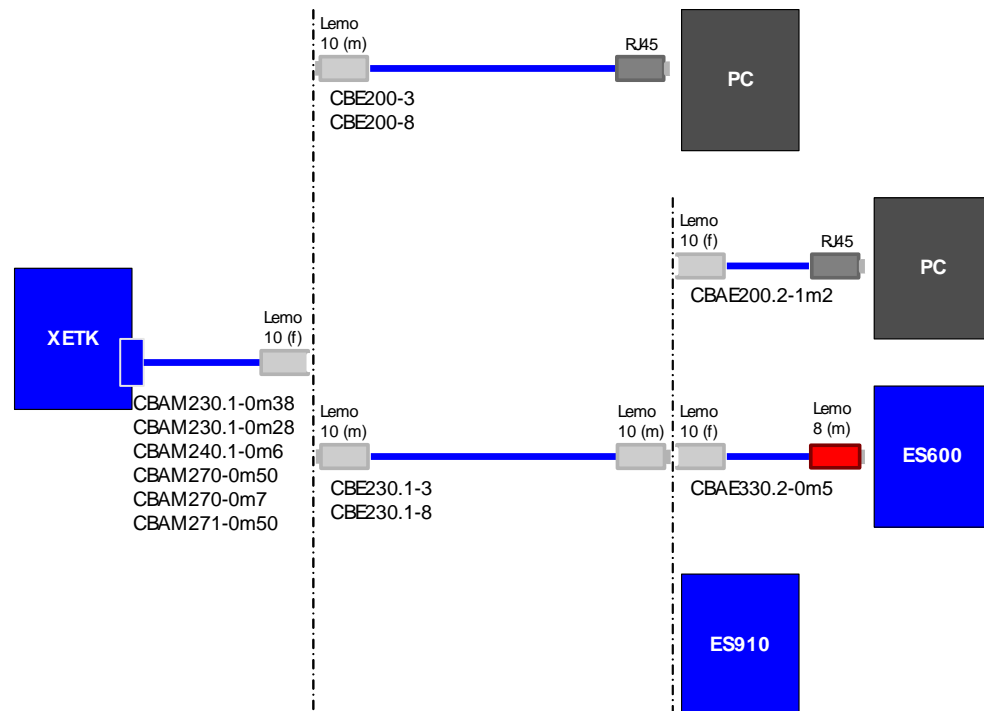


Figure 2 XETK Cables

### 1.1.2 Installation with Permanent Power Supply inside ECU.

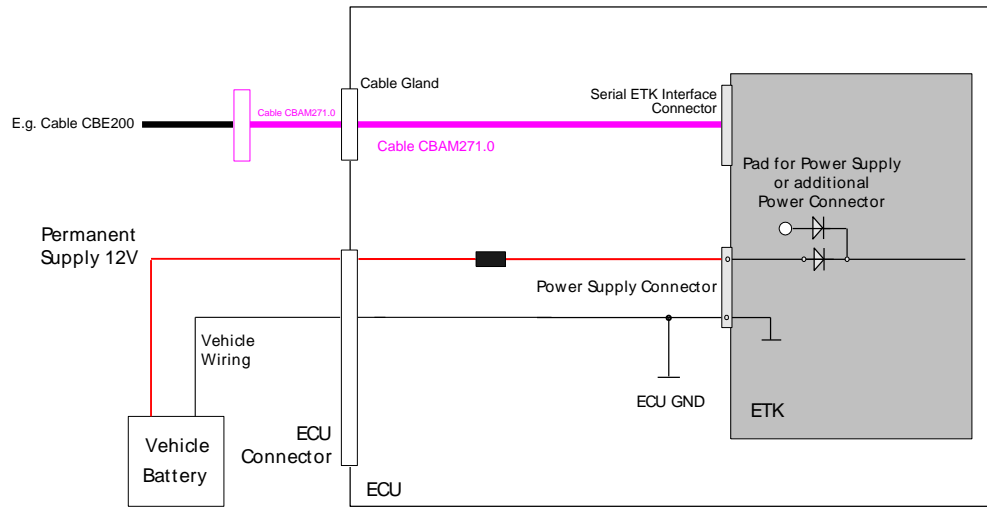


Figure 3 Installation Cable

## 2 Technical Data

### 2.1 Mechanical Dimensions

All dimensions in mm.

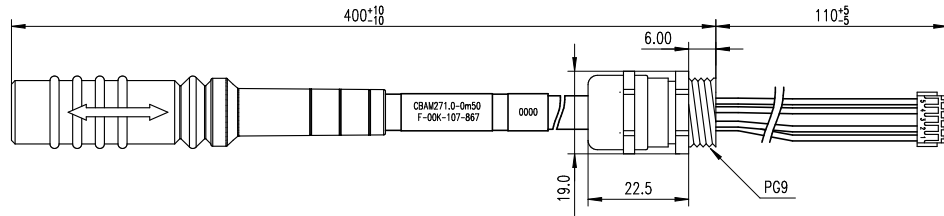


Figure 4 Dimensions

#### **i** NOTE

for mounting the cable, cut a PG9 thread into the ECU housing. For thin walled housings use a Nut SM-PE 9. Available from Lapp, Ordernumber: 52103210.

### 2.2 Temperature Range

Condition	Temperature
Operating Temperature	-40°C - +125°C

### 3 **Ordering Information**

---

<b>Short Name</b>	<b>Order - Number</b>
CBAM271-0m5	F 00K 107 867

## 4 ETAS Contact Addresses

---

### ETAS Headquarters

ETAS GmbH  
Borsigstraße 24  
70469 Stuttgart  
Germany

Phone: +49 711 3423-0  
Fax: +49 711 3423-2106  
Internet: [www.etas.com](http://www.etas.com)

### ETAS Subsidiaries and Technical Support

For details of your local sales office as well as your local technical support team and product hotlines, take a look at the ETAS website:

ETAS subsidiaries            Internet: [www.etas.com/en/contact.php](http://www.etas.com/en/contact.php)  
ETAS technical support    Internet: [www.etas.com/en/hotlines.php](http://www.etas.com/en/hotlines.php)



## Figures

---

Figure 1	View (Image similar) .....	4
Figure 2	XETK Cables.....	4
Figure 3	Installation Cable.....	5
Figure 4	Dimensions .....	6