



## **CBAM300.3**

FETK ECU Adapter Cable, pre-assembled into PG9 screwing, shield on ECU- Housing, Lemo 1B PHM - JST SHR (10mc-9fc), 0m60

Data Sheet

## **Copyright**

---

The data in this document may not be altered or amended without special notification from ETAS GmbH. ETAS GmbH undertakes no further obligation in relation to this document. The software described in it can only be used if the customer is in possession of a general license agreement or single license. Using and copying is only allowed in concurrence with the specifications stipulated in the contract.

Under no circumstances may any part of this document be copied, reproduced, transmitted, stored in a retrieval system or translated into another language without the express written permission of ETAS GmbH.

© **Copyright 2020** ETAS GmbH, Stuttgart

The names and designations used in this document are trademarks or brands belonging to the respective owners.

Document CBAM300.3 R01 EN – 02.2020

## Contents

---

1	About this Manual .....	4
1.1	Identification of Safety Notice .....	4
2	Introduction.....	5
2.1	View.....	5
3	Installation .....	6
4	Technical Data.....	7
4.1	Mechanical Dimensions .....	7
4.2	Connectors.....	7
4.3	Temperature Range .....	7
4.4	Tightness .....	7
5	Ordering Information.....	8
6	ETAS Contact Addresses.....	9

# 1 About this Manual

---

This chapter contains information about the following topics:

- Identification of Safety Notice

## 1.1 Identification of Safety Notice

---



### **DANGER**

---

**Type and source of danger!**

Consequences and measures to avoid.



### **WARNING**

---

**Type and source of danger!**

Consequences and measures to avoid.



### **CAUTION**

---

**Type and source of danger!**

Consequences and measures to avoid.



### **NOTE**

---

Important hint for the user.

### **NOTICE**

---

**Type and source of danger!**

Consequences and measures to avoid.

## 2 Introduction

---

CBAM300.3-0m60 is a serial 1 GBit/s cable adapter for FETKs. Preassembled into PG9 screwing, shield connected to the screwing.

### 2.1 View

---

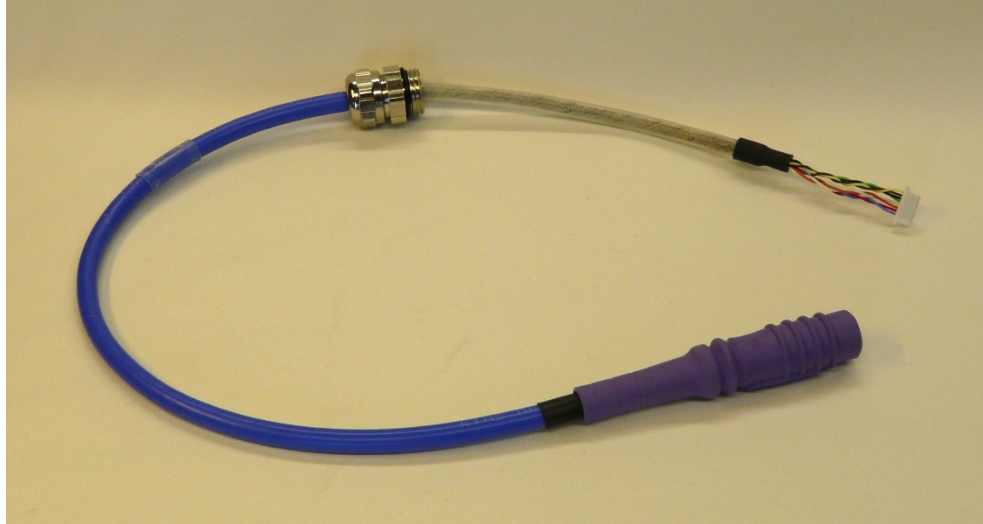


Figure 1: View

### 3 Installation

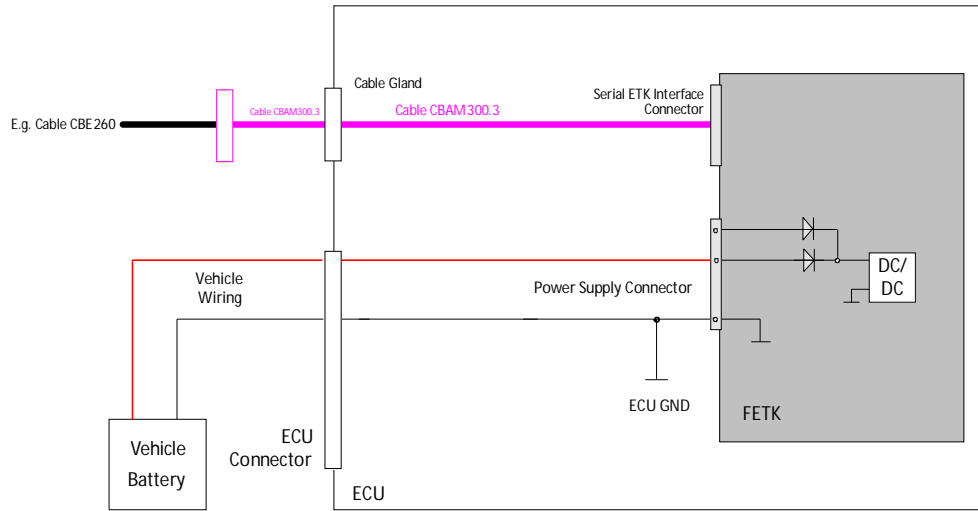


Figure 2: Installation, permanent power supply in ECU available

## 4 Technical Data

### 4.1 Mechanical Dimensions

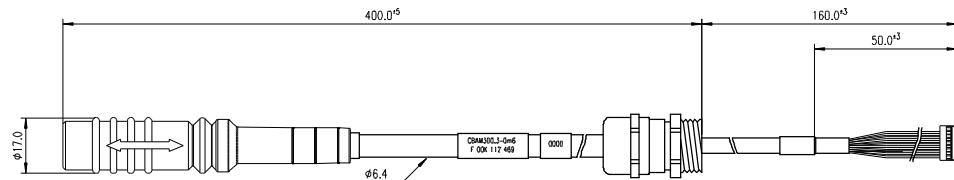


Figure 3: Mechanical Dimensions CBAM300.3-0m6

For thin walled housings, use a through hole with 15.2 mm in the housing and mount the cable with a nut (not included) (SM-PE 9 Order number 52103210 from Lapp).

For wall thickness more than 4mm cut a thread into the housing.

### 4.2 Connectors

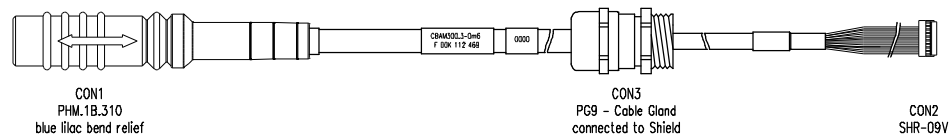


Figure 4: Connector Description CBAM300.3-0m6

Connector	Color	Target
CON1	Blue Lilac	G. Ethernet Cable e.g. CBE260
CON2	white	FETK e.g. FETK-S2.0
CON3		Shield ECU housing

Table 1: Connector Description CBAM300.3-0m6

### 4.3 Temperature Range

Condition	Temperature
Operating Temperature	-40°C - +125°C

Table 2: Temperature Range

### 4.4 Tightness

Condition	IP Code
PG9 screwing	IP67

Table 3: Tightness

## 5 Ordering Information

---

Short Name	Order - Number
CBAM300.3-0m6	F 00K 112 469

Table 4: Ordering Information



## 6 ETAS Contact Addresses

---

### ETAS Headquarters

ETAS GmbH

Borsigstraße 24

70469 Stuttgart

Germany

Phone: +49 711 3423-0

Fax: +49 711 3423-2106

Internet: [www.etas.com](http://www.etas.com)

### ETAS Subsidiaries and Technical Support

For details of your local sales office as well as your local technical support team and product hotlines, take a look at the ETAS website:

ETAS subsidiaries

Internet: [www.etas.com/en/contact.php](http://www.etas.com/en/contact.php)

ETAS technical support

Internet: [www.etas.com/en/hotlines.php](http://www.etas.com/en/hotlines.php)

## Figures

---

Figure 1: View.....	5
Figure 2: Installation, permanent power supply in ECU available .....	6
Figure 3: Mechanical Dimensions CBAM300.3-0m6.....	7
Figure 4: Connector Description CBAM300.3-0m6 .....	7

## Tables

---

Table 1: Connector Description CBAM300.3-0m6.....	7
Table 2: Temperature Range .....	7
Table 3: Tightness .....	7
Table 4: Ordering Information.....	8

## Revision History

---

R01 - 02.2020	initial release
---------------	-----------------