



CBE230.1 -3, -8, -12, -20

**Ethernet Connection Cable 1 GBit/s,
Lemo 1B FGE - Lemo 1B FGE (10mc-
10mc)**

Data Sheet

Copyright

The data in this document may not be altered or amended without special notification from ETAS GmbH. ETAS GmbH undertakes no further obligation in relation to this document. The software described in it can only be used if the customer is in possession of a general license agreement or single license. Using and copying is only allowed in concurrence with the specifications stipulated in the contract.

Under no circumstances may any part of this document be copied, reproduced, transmitted, stored in a retrieval system or translated into another language without the express written permission of ETAS GmbH.

© **Copyright 2020** ETAS GmbH, Stuttgart

The names and designations used in this document are trademarks or brands belonging to the respective owners.

Document CBE230.1 R05 EN - 05.2020

Contents

1	Introduction.....	5
2	Technical Data.....	6
3	Ordering.....	7
4	ETAS Contact Addresses.....	8

1 Introduction

Gigabit Ethernet Cable with Power Supply .

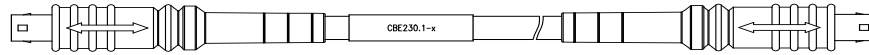


Fig. 1-1 View CBE230.1 -3 -8

1.1 Installation

Selectable Cables for XETK

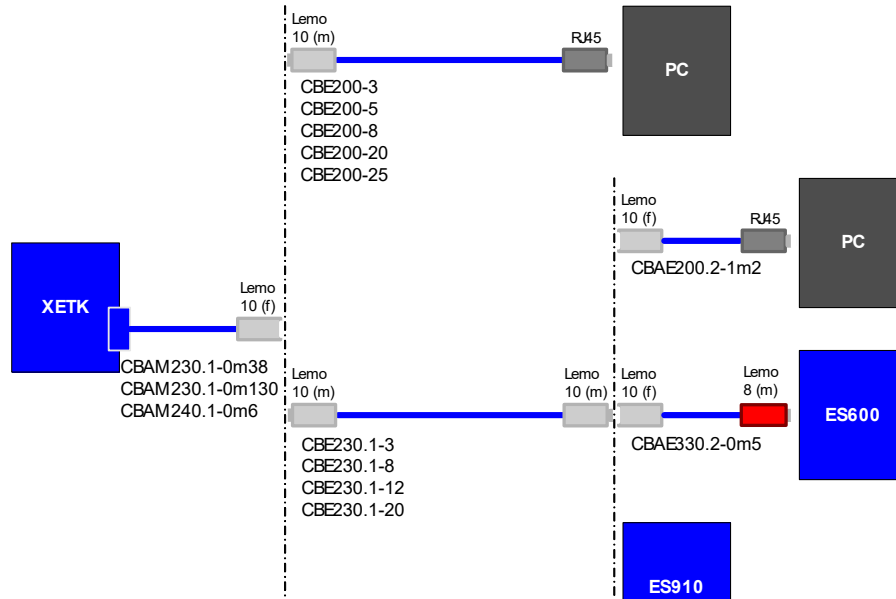


Fig. 1-2 Installation

2 Technical Data

2.1 Mechanical Dimension

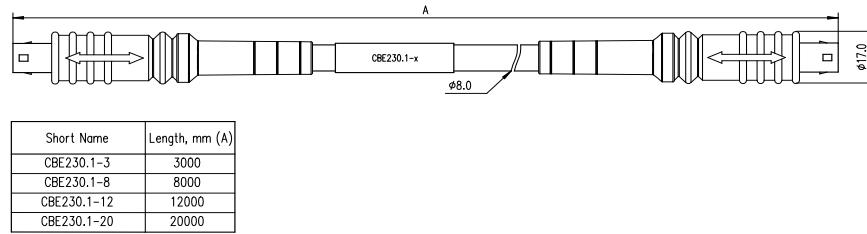


Fig. 2-1 Mechanical Dimension

2.2 Temperature Range

Condition	Temperature
Operating Temperature	-40°C - +125°C

3 Ordering

Type	Order-No
CBAM230.1-0m38	F 00K 105 791
CBAM230.1-0m130	F 00K 106 359
CBAM240.1-0m6	F 00K 105 792
CBAE200.2-1m2	F 00K 105 760
CBAE330.2-0m5	F 00K 105 759
CBE200-3	F 00K 104 373
CBE200-5	F 00K 105 171
CBE200-8	F 00K 104 374
CBE200-20	F 00K 104 372
CBE200-25	F 00K 106 260
CBE230.1-3	F 00K 105 757
CBE230.1-8	F 00K 105 758
CBE230.1-12	F 00K 106 360
CBE230.1-20	F 00K 106 361

4 ETAS Contact Addresses

ETAS Headquarters

ETAS GmbH

Borsigstraße 24
70469 Stuttgart
Germany

Phone: +49 711 3423-0
Fax: +49 711 3423-2106
Internet: www.etas.com

ETAS Subsidiaries and Technical Support

For details of your local sales office as well as your local technical support team and product hotlines, take a look at the ETAS website:

ETAS subsidiaries Internet: www.etas.com/en/contact.php
ETAS technical support Internet: www.etas.com/en/hotlines.php

Figures

Fig. 1-1	View CBE230.1 -3 -8	5
Fig. 1-2	Installation	5
Fig. 2-1	Mechanical Dimension	6