

## **ETAL4**

ETK ECU Adapter , Erni - SAMTEC (50fc - 14fc), 0m1

Data Sheet



## **Copyright**

---

The data in this document may not be altered or amended without special notification from ETAS GmbH. ETAS GmbH undertakes no further obligation in relation to this document. The software described in it can only be used if the customer is in possession of a general license agreement or single license. Using and copying is only allowed in concurrence with the specifications stipulated in the contract.

Under no circumstances may any part of this document be copied, reproduced, transmitted, stored in a retrieval system or translated into another language without the express written permission of ETAS GmbH.

© Copyright 2018 ETAS GmbH, Stuttgart

The names and designations used in this document are trademarks or brands belonging to the respective owners.

Document ETAL4 R02\_EN – 08.2018

---

## Contents

- 1 Introduction.....5
  - 1.1 View.....5
- 2 Technical Data .....6
  - 2.1 ECU Connector .....6
  - 2.2 Measurement Drawings .....7
  - 2.3 Temperature Range .....7
- 3 Ordering Information .....8
- 4 ETAS Contact Addresses.....9

---

## Figures

Figure 1: View .....5  
Figure 2: Pin Count.....6  
Figure 3: Bottom View .....7  
Figure 4: Side View.....7

## 1 Introduction

---

Adapts ECU with 14 pin SAMTEC connector to an ETK-S22. Supported is AUDR Interface. The adapter is passive and signals are routed single ended to the ETK.

### 1.1 View

---

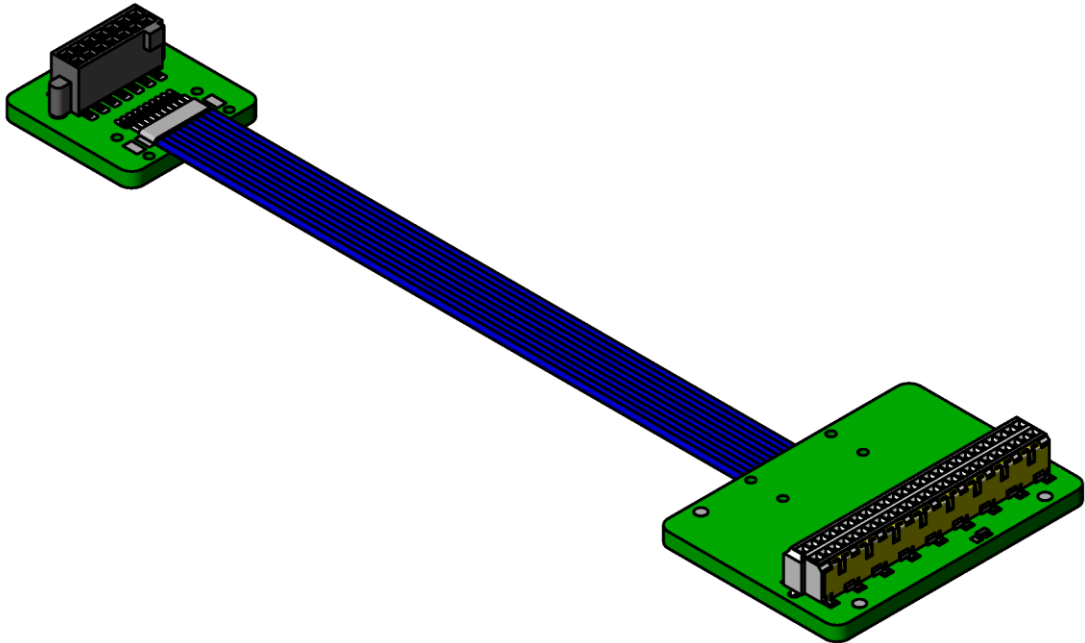


Figure 1: View

## 2 Technical Data

---

### 2.1 ECU Connector

---

In order to be able to use the ETK adapter ETAL4 in the ECU, a 14 pin SAMTEC connector (e.g. TFM-107-02-S-D-P) must be available on the ECU.

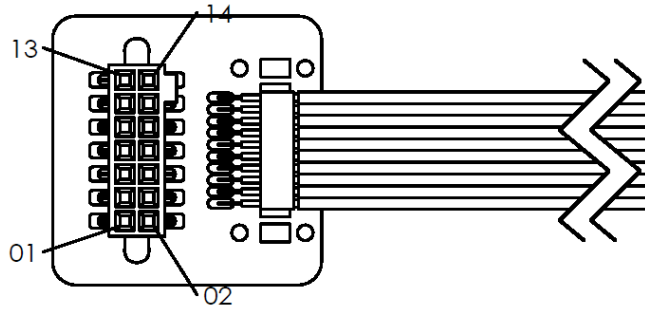


Figure 2: Pin Count

Pin Number	Signal Name
1	GND
2	AUDCK
3	/AUDRST
4	NC
5	AUDMD
6	/AUDSYNC
7	NC
8	VCC (Sense)
9	NC
10	/POR
11	AUDD0
12	AUDD1
13	AUDD2
14	AUDD3

2.2 Measurement Drawings

Measured in mm

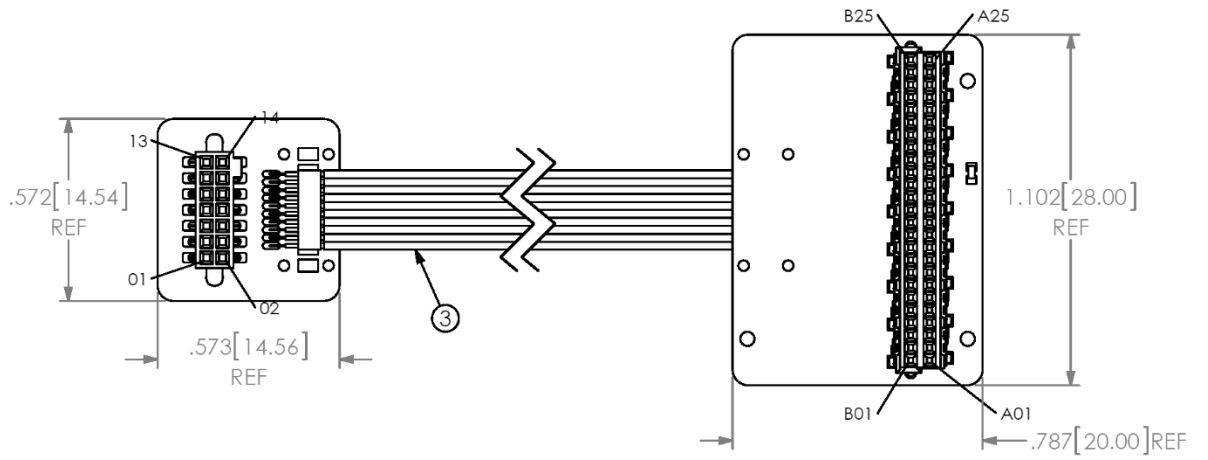


Figure 3: Bottom View

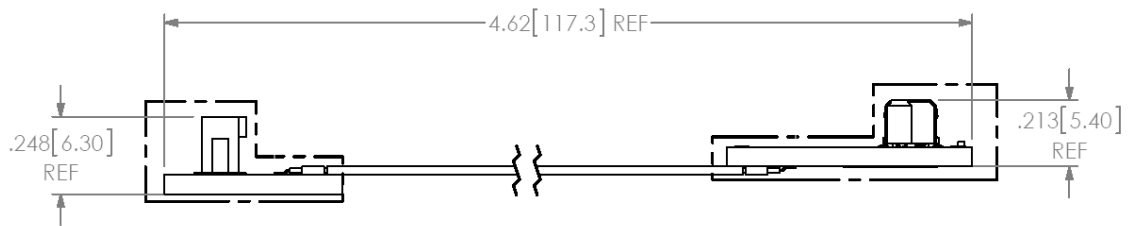


Figure 4: Side View

2.3 Temperature Range

Condition	Temperature
Operating Temperature	-40°C - +110°C

**3** **Ordering Information**

---

<b>Short Name</b>	<b>Order - Number</b>
ETAL4	F 00K 109 127



## 4 **ETAS Contact Addresses**

---

### *ETAS HQ*

---

ETAS GmbH

Borsigstraße 24

70469 Stuttgart

Germany

Phone: +49 711 3423-0

Fax: +49 711 3423-2106

WWW: [www.etas.com](http://www.etas.com)

### *ETAS Subsidiaries and Technical Support*

---

For details of your local sales office as well as your local technical support team and product hotlines, take a look at the ETAS website:

ETAS subsidiaries WWW: [www.etas.com/en/contact.php](http://www.etas.com/en/contact.php)

ETAS technical support WWW: [www.etas.com/en/hotlines.php](http://www.etas.com/en/hotlines.php)