

ETAN4 R01_EN

XETK-S22.0B ECU Adapter, SAMTEC ERM - SAMTEC SFM (40mc - 12fc), 0m150



Copyright

The data in this document may not be altered or amended without special notification from ETAS GmbH. ETAS GmbH undertakes no further obligation in relation to this document. The software described in it can only be used if the customer is in possession of a general license agreement or single license. Using and copying is only allowed in concurrence with the specifications stipulated in the contract.

Under no circumstances may any part of this document be copied, reproduced, transmitted, stored in a retrieval system or translated into another language without the express written permission of ETAS GmbH.

© Copyright 2018 ETAS GmbH, Stuttgart

The names and designations used in this document are trademarks or brands belonging to the respective owners.

Document ETAN4 R01_EN – 09.2018

Contents

- 1 Introduction5
 - 1.1 3D View5
- 2 Technical Data6
 - 2.1 ECU Connector6
 - 2.2 Electrical Information6
 - 2.3 Mechanical Dimensions7
 - 2.4 Temperature Range7
- 3 Ordering Information8
- 4 ETAS Contact Addresses9

Figures

Figure 1: 3D View 5
Figure 2: Pin arrangement..... 6
Figure 3: Bottom View, Units inches [mm] 7
Figure 4: Side View, Units inches [mm]..... 7

1 Introduction

The ETAN4A cable adapts the ECU 12 pin SAMTEC TFM-106 connector to an XETK-S22.0B. It is intended for use with the ETAS housing ETKS_C3.

1.1 3D View

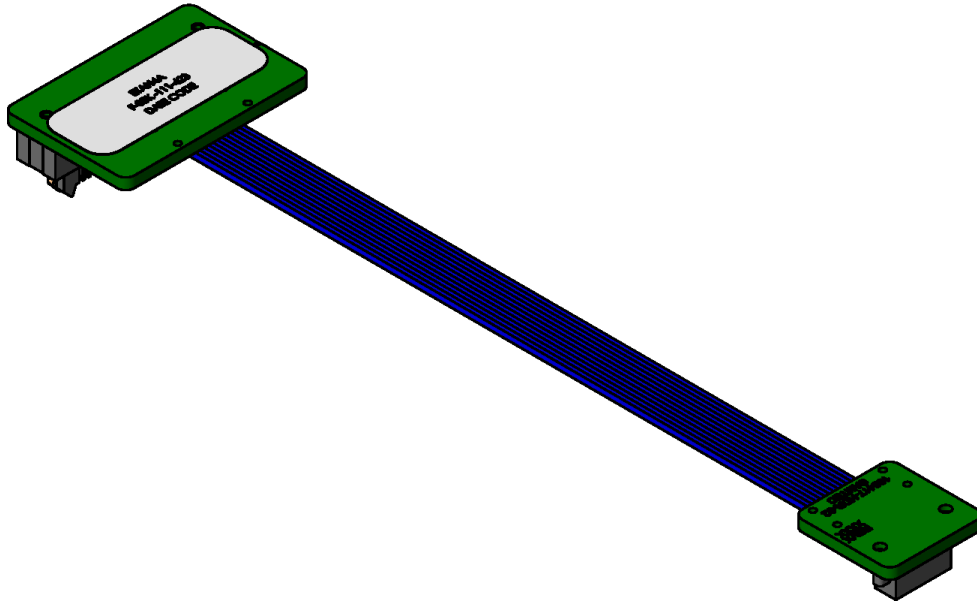


Figure 1: 3D View

2 Technical Data

2.1 ECU Connector

In order to be able to use the ETK adapter cable ETAN4A with the ECU, a 12 pin SAMTEC connector (e.g. TFM-106-02-S-D-P) must be available on the ECU. Depending on ECU connector lead style mated height is between 6,35mm and 11,81mm (distance between the PCB's). See figure 2 below for pin arrangement, and table 1 below for the pin assignment.

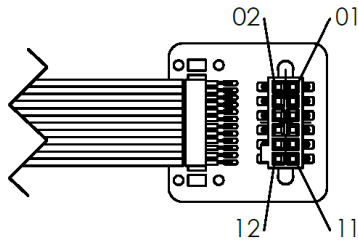


Figure 2: Pin arrangement

Pin Number	Signal Name
1	GND
2	TCK
3	/TRST
4	TDO
5	TMS
6	TDI
7	FLMDO
8	VDD (Sense)
9	RDY
10	/PORESET
11	VSTBY
12	/RESETOUT

Table 1: Pin assignment

2.2 Electrical Information

The ETAN4A adapter cable has a 50 Ohm nominal impedance.

2.3 Mechanical Dimensions

The ETAN4A adapter cable has a minimum bend radius of 0.125 inches [3.175mm]. See figure 3 and figure 4 for mechanical dimensions.

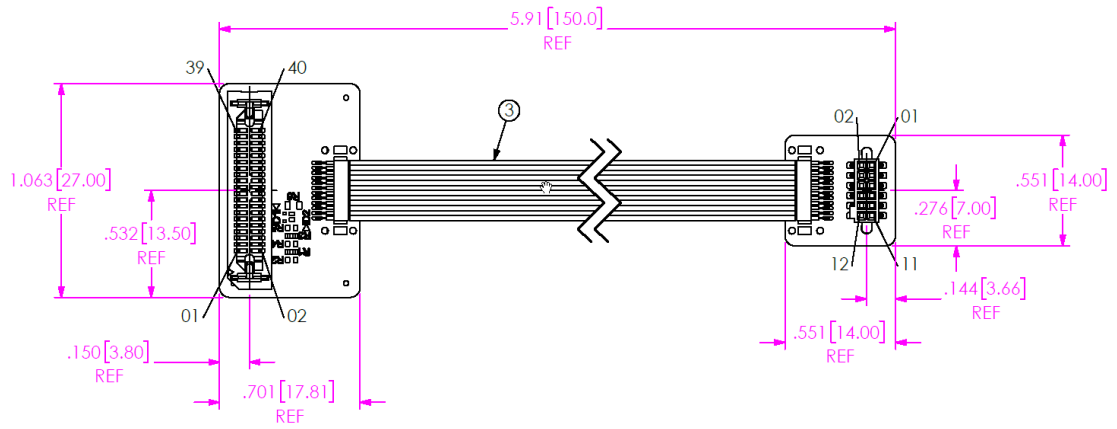


Figure 3: Bottom View, Units inches [mm]

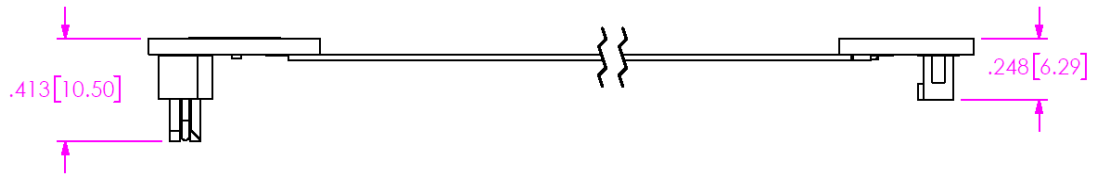


Figure 4: Side View, Units inches [mm]

2.4 Temperature Range

Condition	Temperature
Operating Temperature	-40°C - +110°C

3

Ordering Information

Short Name	Order - Number
ETAN4A	F 00K 111 423

4 **ETAS Contact Addresses**

ETAS HQ

ETAS GmbH	Phone:	+49 711 3423-0
Borsigstraße 24	Fax:	+49 711 3423-106
70469 Stuttgart	WWW:	www.etas.com
Germany		

ETAS Subsidiaries and Technical Support

For details of your local sales office as well as your local technical support team and product hotlines, take a look at the ETAS website:

ETAS subsidiaries	WWW:	www.etas.com/en/contact.php
ETAS technical support	WWW:	www.etas.com/en/hotlines.php