

KA56

ETK ECU Adapter Cable, Lemo 1B PHG - JST PHR (4fc-4mc+1c), 0m6

Data Sheet



Copyright

The data in this document may not be altered or amended without special notification from ETAS GmbH. ETAS GmbH undertakes no further obligation in relation to this document. The software described in it can only be used if the customer is in possession of a general license agreement or single license. Using and copying is only allowed in concurrence with the specifications stipulated in the contract.

Under no circumstances may any part of this document be copied, reproduced, transmitted, stored in a retrieval system or translated into another language without the express written permission of ETAS GmbH.

© Copyright 2018 ETAS GmbH, Stuttgart

The names and designations used in this document are trademarks or brands belonging to the respective owners.

Document KA56 R03_EN – 09.2018

Contents

1	Introduction.....	5
1.1	View.....	5
1.2	Installation.....	6
2	Technical Data	7
2.1	Mechanical Dimensions.....	7
2.2	Temperature Range	7
3	Ordering Information	8
4	ETAS Contact Addresses.....	9

Figures

Figure 1: KA56 View5
Figure 2: Installation6
Figure 3: Mechanical Dimensions7
Figure 4: Wiring Table7

1 Introduction

Serial 100MBit/s Interface Cable for ETK with shielding on a separate cable. The individual contacts of the connector are already crimped to the conductors of the cable. However, they are not inserted into the plastic shell of the plug to facilitate threading the wires through a mounting hole. To complete the installation the connectors are inserted into the shell, observing the correct orientation and assuring proper latching.

1.1 View

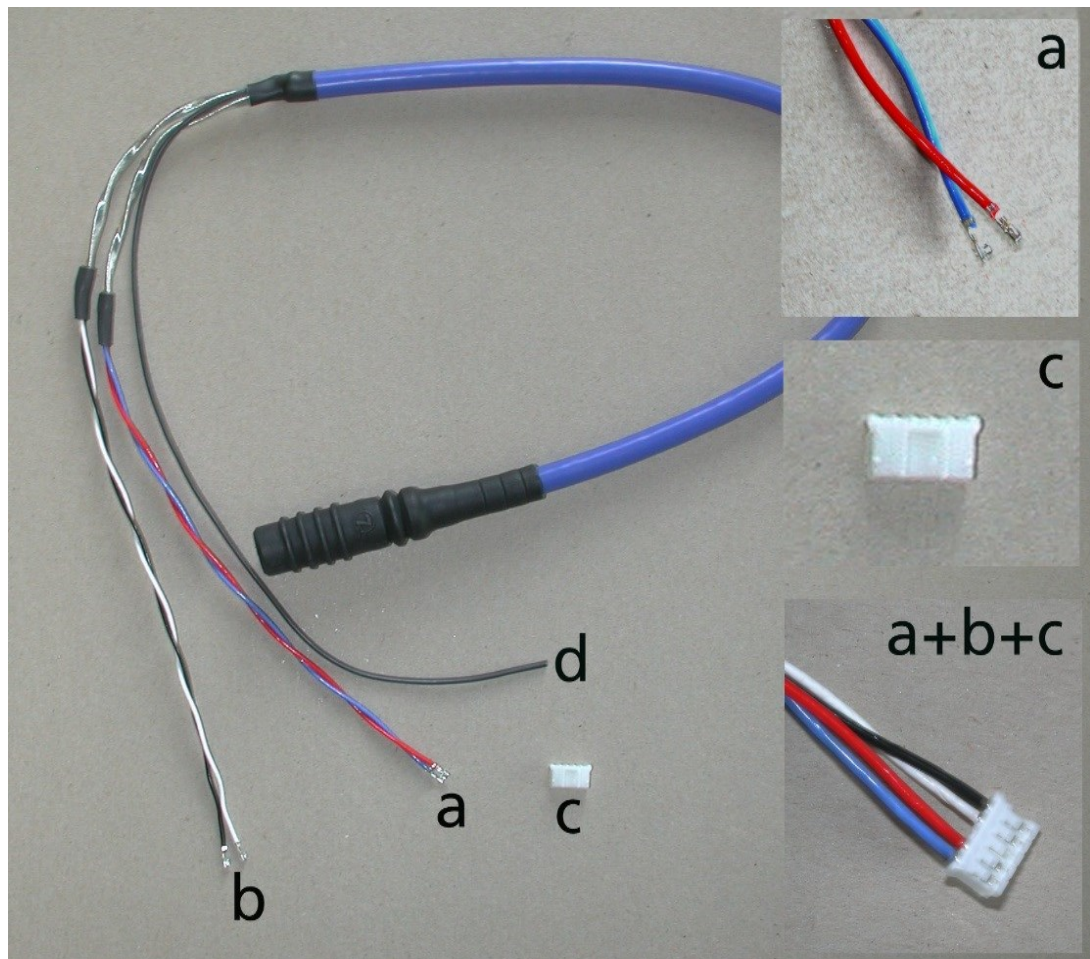


Figure 1: KA56 View

1.2 Installation

Permanent Power Supply inside ECU not available.

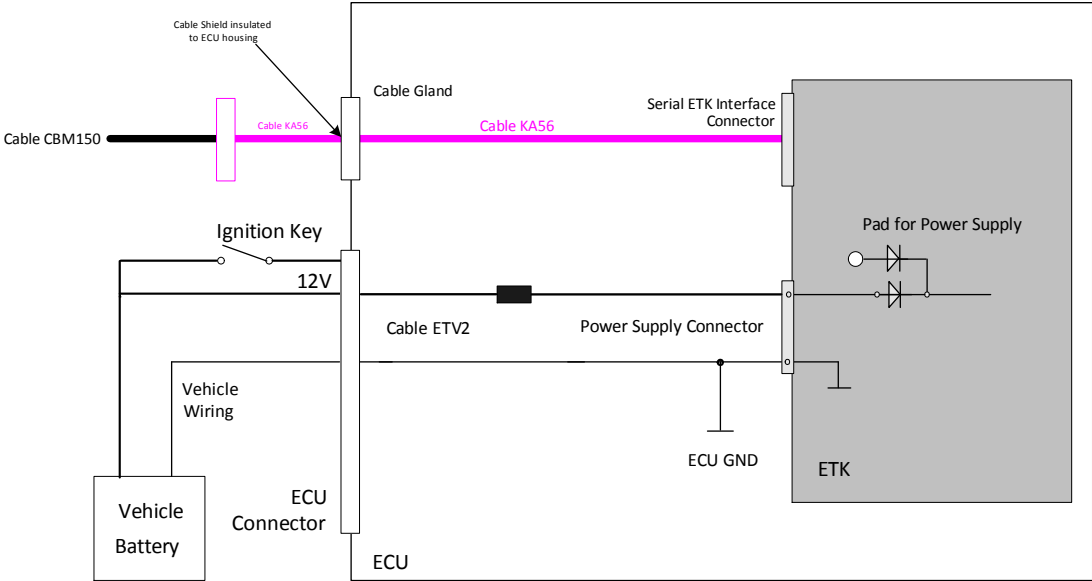


Figure 2: Installation

2 Technical Data

2.1 Mechanical Dimensions

All dimensions in mm.

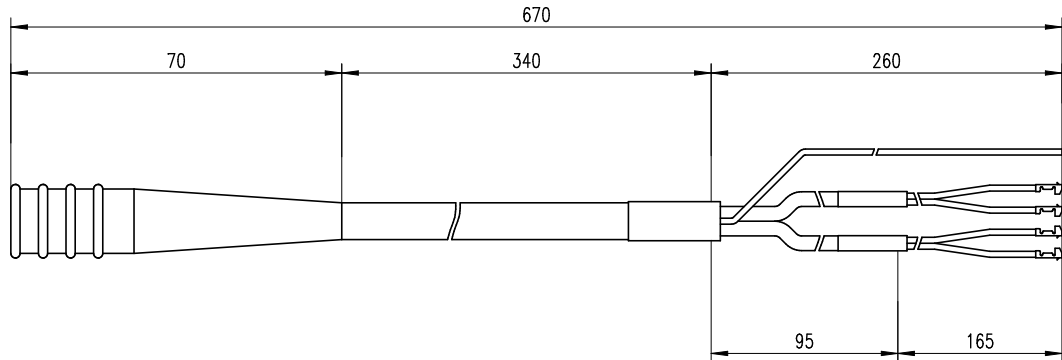


Figure 3: Mechanical Dimensions

KA56 Wires					JST Housing
Connection	Name	Pair	Color	Connection	
Crimp-Contact	RX+	1	black	5	
Crimp-Contact	RX-		white	4	
Crimp-Contact	TX+	2	red	2	
Crimp-Contact	TX-		blue	1	

Figure 4: Wiring Table

Note:

For proper operation the RX and TX pairs have to be twisted 3 - 5 times / 10cm clockwise (as shown in Figure 1).

2.2 Temperature Range

Condition	Temperature
Operating Temperature	-40°C - +125°C

3 **Ordering Information**

Short Name	Order - Number
KA56	F 00K 001 654

4 ETAS Contact Addresses

ETAS HQ

ETAS GmbH

Borsigstraße 24

70469 Stuttgart

Germany

Phone: +49 711 3423 0

Fax: +49 711 3423 2106

WWW: www.etas.com*ETAS Subsidiaries and Technical Support*

For details of your local sales office as well as your local technical support team and product hotlines, take a look at the ETAS website:

ETAS subsidiaries

WWW: www.etas.com/en/contact.php

ETAS technical support

WWW: www.etas.com/en/hotlines.php