

ETAS ETAN20

XETK-S16.0 and XETK-S23.0 ECU
Adapter



User Guide

Copyright

The data in this document may not be altered or amended without special notification from ETAS GmbH. ETAS GmbH undertakes no further obligation in relation to this document. The software described in it can only be used if the customer is in possession of a general license agreement or single license. Using and copying is only allowed in concurrence with the specifications stipulated in the contract.

Under no circumstances may any part of this document be copied, reproduced, transmitted, stored in a retrieval system or translated into another language without the express written permission of ETAS GmbH.

© Copyright 2023 ETAS GmbH, Stuttgart

The names and designations used in this document are trademarks or brands belonging to the respective owners.

Document ETAN20 R01_EN – 01.2023

Contents

| | | |
|-----|-----------------------------|---|
| 1 | Introduction | 4 |
| 1.1 | 3D View..... | 4 |
| 2 | Technical Data..... | 5 |
| 2.1 | ECU Connector..... | 5 |
| 2.2 | Electrical Information..... | 6 |
| 2.3 | Mechanical Dimensions | 6 |
| 2.4 | Temperature Range..... | 6 |
| 3 | Ordering Information | 7 |
| 4 | Contact Information | 8 |

1 Introduction

The ETAN20 cable adapts the ECU's 20 pin SAMTEC ERF8-010-05.0-L-DV-K connector to an XETK-S16.0 or an XETK-S23.0. On the end that mates with the XETK, there is a single mounting hole that aligns with one of the XETK-S16.0 / XETK-S23.0 mounting holes for enhanced mechanical stability.

1.1 3D View

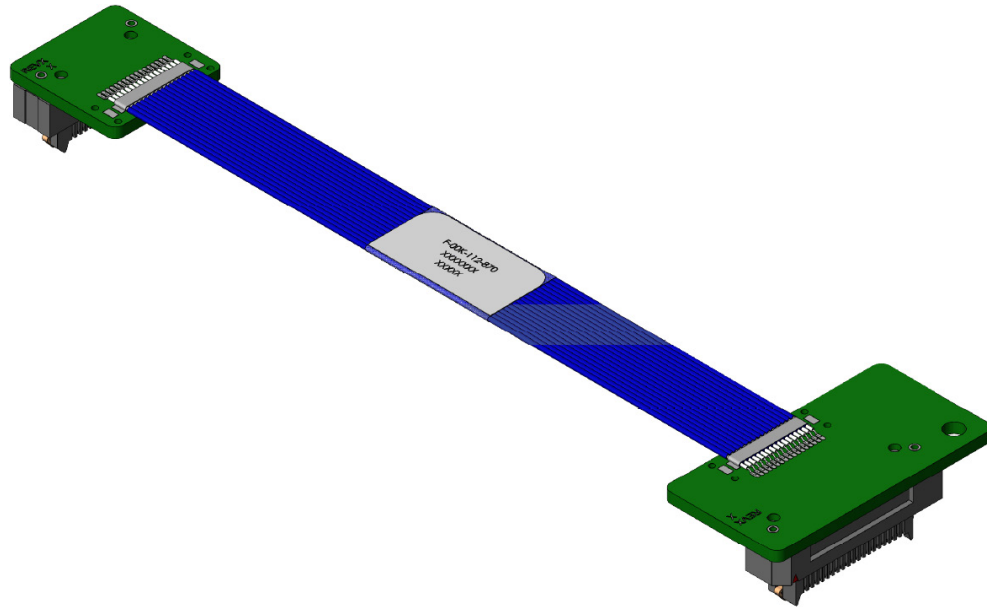


Figure 1: ETAN20 3D View

2 Technical Data

2.1 ECU Connector

In order to be able to use the ETK adapter cable ETAN20 in the ECU, a 20 pin SAMTEC connector (e.g. ERF8-010-05.0-L-DV-K) must be available on the ECU PCB. See figure 2 below for pin definition, and table 1 below for the pin assignment.

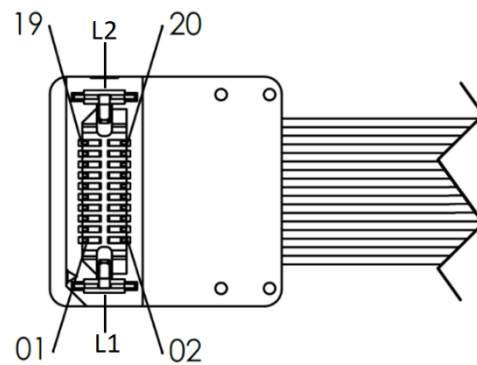


Figure 2: ETAN20 ECU connector Pin definition

| Pin Number | ARM JTAG / Trace Signal Name | TI JTAG / FSI Signal Name |
|------------|------------------------------|---------------------------|
| 1 | TRACE_CTL | Reserved |
| 2 | VDD (Sense) | VDD (Sense) |
| 3 | GND | GND |
| 4 | TCK | TCK |
| 5 | TRACE_DATA0 | FSI_TX0 |
| 6 | TMS | TMS |
| 7 | TRACE_DATA1 | FSI_TX1 |
| 8 | TDI | TDI |
| 9 | GND | GND |
| 10 | TDO | TDO |
| 11 | TRACE_DATA2 | Reserved |
| 12 | /TRST | /TRST |
| 13 | TRACE_DATA3 | Reserved |
| 14 | /PORESET | /PORESET (XRS) |
| 15 | GND | GND |
| 16 | /RESETOUT | /RESETOUT |
| 17 | TRACE_CLK | FSI_TXCLK |
| 18 | WDGDIS | WDGDIS |
| 19 | VSTBY (Sense) | VSTBY (Sense) |
| 20 | Reserved | Reserved |
| L1 | GND | GND |
| L2 | GND | GND |

2.2 Electrical Information

The ETAN20 adapter cable has a 50 Ohm nominal impedance on all pins.

2.3 Mechanical Dimensions

The ETAN20 adapter cable has a minimum bend radius of 0.125 inches [3.175mm]. See figure 3 and 4 for mechanical dimensions.

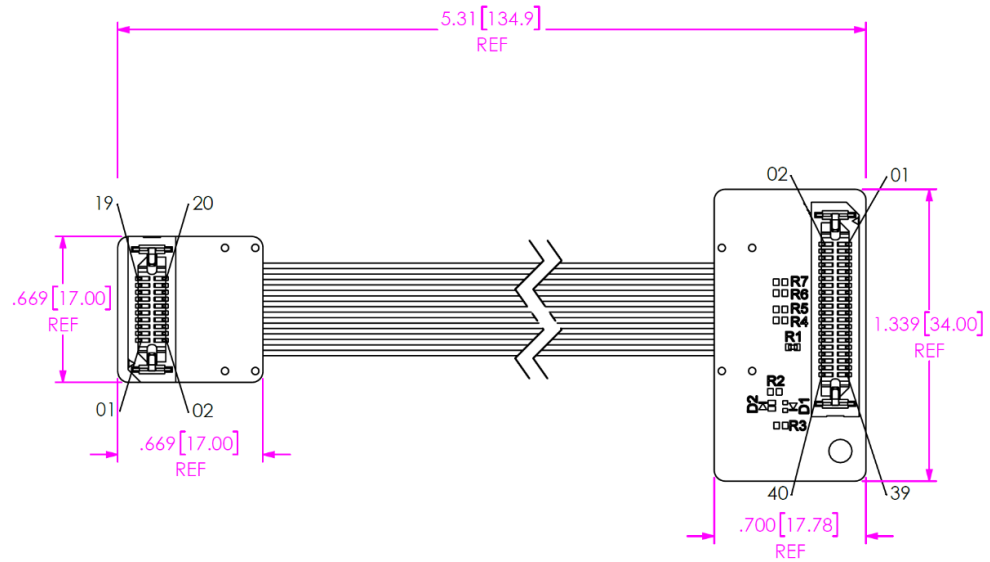


Figure 3: Top View, Units inches [mm]

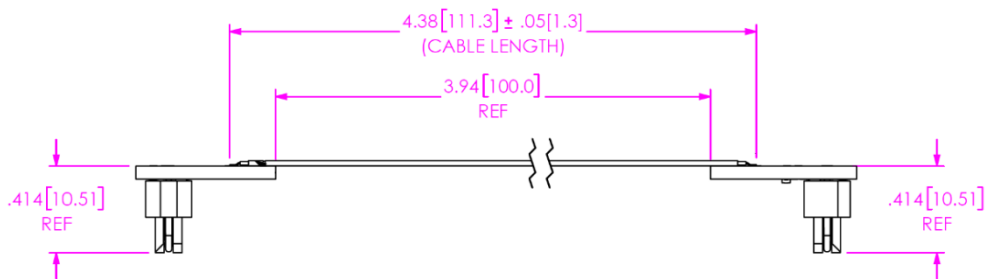


Figure 4: Side View, Units inches [mm]

2.4 Temperature Range

| Condition | Temperature |
|-----------------------|----------------|
| Operating Temperature | -40°C - +110°C |

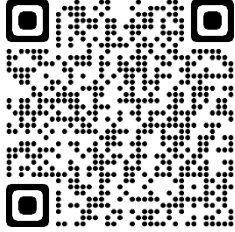
3 Ordering Information

| Long Name | Short Name | Order - Number |
|--|------------|----------------|
| ETAN20A ETK ECU Adapter,- SAMTEC - SAMTEC (40mc - 20mc), 0m1 | ETAN20 | F 00K 112 870 |

4 Contact Information

Technical Support

For details of your local sales office as well as your local technical support team and product hotlines, take a look at the website: www.etas.com/hotlines



ETAS Headquarters

ETAS GmbH
Borsigstraße 24
70469 Stuttgart
Germany

Phone: +49 711 3423-0
Fax: +49 711 3423-2106
Internet: www.etas.com