

---

ETKS\_C2

Waterproof case for ETKS4 and ETKS6

Data Sheet

## Copyright

---

The data in this document may not be altered or amended without special notification from ETAS GmbH. ETAS GmbH undertakes no further obligation in relation to this document. The software described in it can only be used if the customer is in possession of a general license agreement or single license. Using and copying is only allowed in concurrence with the specifications stipulated in the contract.

Under no circumstances may any part of this document be copied, reproduced, transmitted, stored in a retrieval system or translated into another language without the express written permission of ETAS GmbH.

© **Copyright 2007** ETAS GmbH, Stuttgart

The names and designations used in this document are trademarks or brands belonging to the respective owners.

Document ETKS\_C2 R1.0.1 EN

# 1 ETKS\_C2

---

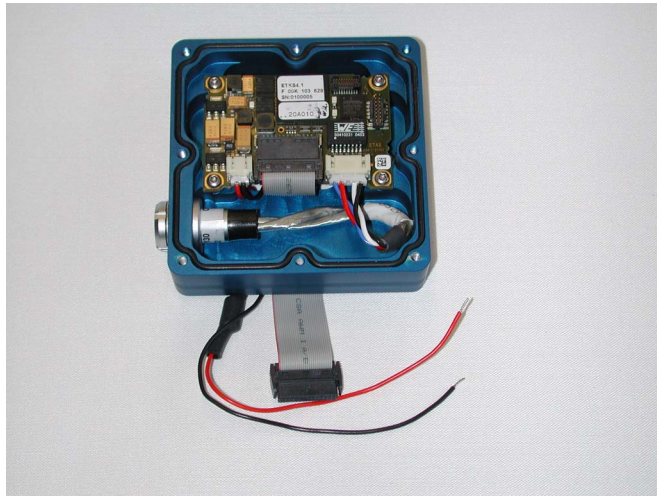
is a waterproof case for mounting on an ECU. ETKS4.x or an ETKS6.x can used inside the case.

## 1.1 View

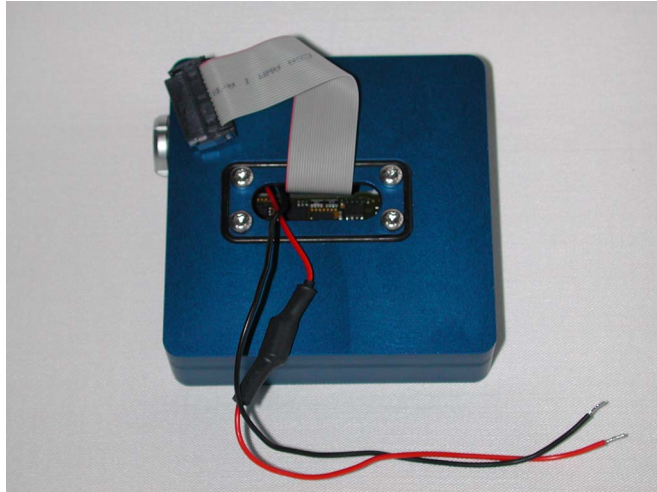
---



**Fig. 1-1** Top View closed



**Fig. 1-2** Top View open



**Fig. 1-3** Bottom View

## 2 **Technical Data**

---

### 2.1 Necessary Tools

---

Torx T10 screwdriver



Torx T8 screwdriver



Lemo Spanner DCH.91.141.PA



### 2.2 Necessary accessories

---

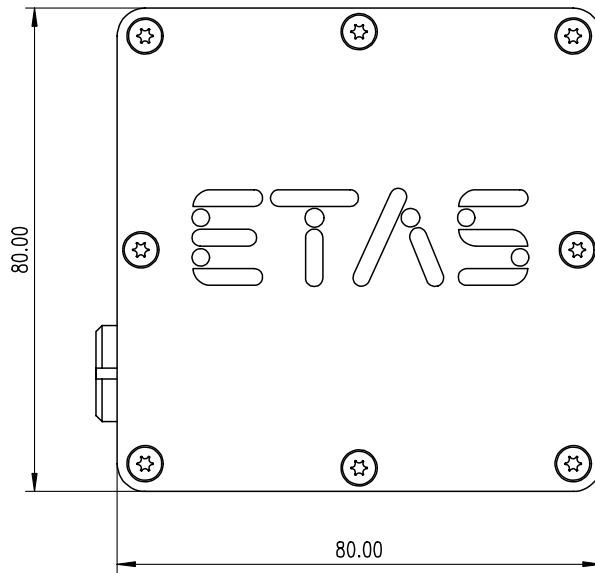
The ETKS\_C2 case will delivered without ETK and Cable Adapters. For the Serial ETK Interface CBAM200.2-0m085 is needed. The ETK and other cables are project specific.

### 2.3 Measurement Drawings

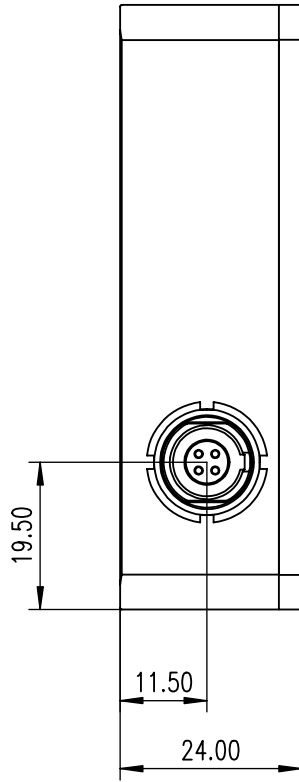
---

measured in mm

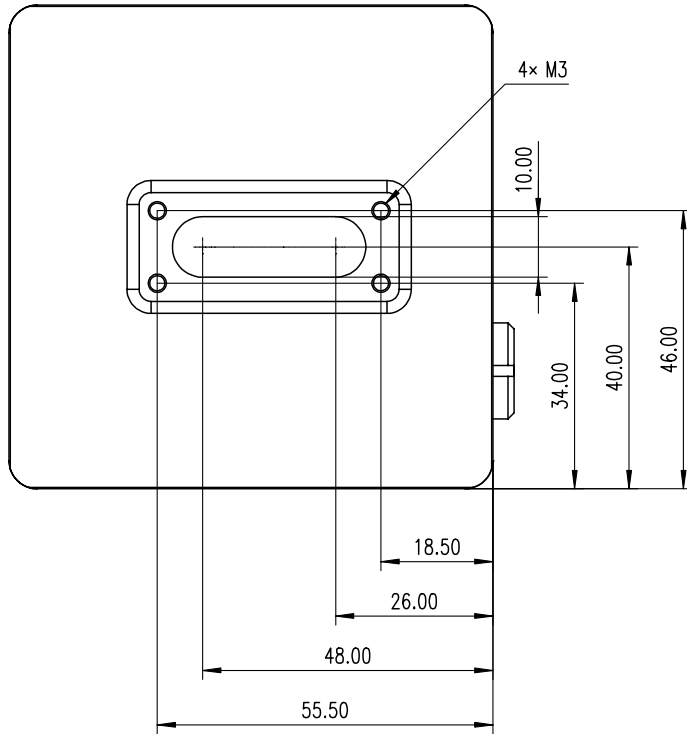
tolerances DIN ISO2768-1 m



**Fig. 2-1** Top View



**Fig. 2-2** Side View



**Fig. 2-3** Bottom View

## 2.4 Temperature Range

---

| Condition             | Temperature    |
|-----------------------|----------------|
| Operating Temperature | -40°C - +105°C |



### 3 Ordering Information

---

| <b>Type</b>     | <b>Order-No</b> |
|-----------------|-----------------|
| ETKS_C2         | F 00K 104 910   |
| CBAM200.2-0m085 | F 00K 104 312   |



## 4 **ETAS Contact Addresses**

---

### *ETAS HQ*

---

#### **ETAS GmbH**

|                 |         |                     |
|-----------------|---------|---------------------|
| Borsigstr. 14   | Phone:  | +49 711 8 96 61-0   |
| 70469 Stuttgart | Fax:    | +49 711 8 96 61-105 |
| Germany         | E-mail: | sales@etas.de       |
|                 | WWW:    | www.etasgroup.com   |

### *North America*

---

#### **ETAS Inc.**

|                     |         |                   |
|---------------------|---------|-------------------|
| 3021 Miller Road    | Phone:  | +1 888 ETAS INC   |
| Ann Arbor, MI 48103 | Fax:    | +1 734 997-9449   |
| USA                 | E-mail: | sales@etas.us     |
|                     | WWW:    | www.etasgroup.com |

### *Japan*

---

#### **ETAS K.K.**

|                              |         |                   |
|------------------------------|---------|-------------------|
| Queen's Tower C-17F          | Phone:  | +81 45 222-0900   |
| 2-3-5, Minatomirai, Nishi-ku | Fax:    | +81 45 222-0956   |
| Yokohama 220-6217            | E-mail: | sales@etas.co.jp  |
| Japan                        | WWW:    | www.etasgroup.com |

### *Great Britain*

---

#### **ETAS Ltd.**

|                           |         |                   |
|---------------------------|---------|-------------------|
| Studio 3, Waterside Court | Phone:  | +44 1283 54 65 12 |
| Third Avenue, Centrum 100 | Fax:    | +44 1283 54 87 67 |
| Burton-upon-Trent         | E-mail: | sales@etas-uk.net |
| Staffordshire DE14 2WQ    | WWW:    | www.etasgroup.com |
| Great Britain             |         |                   |

*France*

---

**ETAS S.A.S**

1, place des Etats-Unis  
SILIC 307  
94588 Rungis Cedex  
France

Phone: +33 (1) 56 70 00 50  
Fax: +33 (1) 56 70 00 51  
E-mail: sales@etas.fr  
WWW: www.etasgroup.com

*Korea*

---

**ETAS Korea Co. Ltd.**

4F, 705 Bldg. 70-S  
Yangjae-dong, Seocho-gu  
Seoul 137-889  
Korea

Phone: +82 2 57 47 - 016  
Fax: +82 2 57 47 - 120  
E-mail: sales@etas.co.kr

*China*

---

**ETAS (Shanghai) Co., Ltd.**

2404 Bank of China Tower  
200 Yincheng Road Central  
Shanghai 200120, P.R. China

Phone: +86 21 5037 2220  
Fax: +86 21 5037 2221  
E-mail: sales.cn@etasgroup.com  
WWW: www.etasgroup.com